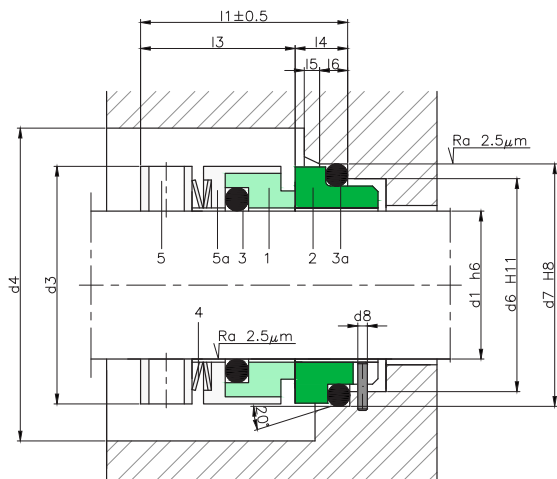


LWS12



COMPONENTS:

- 1 Rotating contact surface
- 2 Stationary contact surface
- 3 O-rings
- 3a O-rings
- 4 Spring
- 5 Set screws
- 5a Metal frame



SECTORS:



CHARACTERISTICS:

- **Unbalanced.**
- System attached to the shaft by allen screws.
- **Not dependent on the rotation direction.**

OPERATING LIMITS:

- $d_i = 20 \div 100 \text{ mm}$ $p = 10 \text{ kg/cm}^2$
- $v = 20 \text{ m/s}$ $t = -15 \div +200^\circ\text{C}$ (*)

(*) The temperature resistance depends on the material of the secondary seals used.

The operating limits are defined by the PV factor which is determined for the sealing system characteristics and those of the application.

DESCRIPTION:

Its mounting dimensions make it a perfect seal for installing in small spaces. The wave spring is not blocked or obstructed when working with fluids laden with particles and fibres, or viscous fluids. Standard L1 DIN stationary part.

DIMENSIONS CHART

Dimensions in mm

Shaft mm	Rotary part			Stationary part						Total length l_1
	d_3	d_4	l_3	d_6	d_7	d_8	l_4	l_5	l_6	
20	31	36	20.5	29	35	3	10.0	2.0	5	30.5
22	33	38	20.5	31	37	3	10.0	2.0	5	30.5
24	36	41	22.5	33	39	3	10.0	2.0	5	32.5
25	39	44	23.5	34	40	3	10.0	2.0	5	33.5
28	42	47	23.5	37	43	3	10.0	2.0	5	33.5
30	44	49	24.5	39	45	3	10.0	2.0	5	34.5
32	46	51	24.5	42	48	3	10.0	2.0	5	34.5
33	47	52	24.5	42	48	3	10.0	2.0	5	34.5
35	49	54	24.5	44	50	3	10.0	2.0	5	34.5
38	53	58	27.0	49	56	4	11.0	2.0	6	38.0
40	55	60	28.0	51	58	4	11.0	2.0	6	39.0
43	58	63	28.0	54	61	4	11.0	2.0	6	39.0
45	60	65	28.0	56	63	4	11.0	2.0	6	39.0
48	63	68	28.0	59	66	4	11.0	2.0	6	39.0
50	66	71	27.0	62	70	4	13.0	2.5	6	39.0
53	69	74	27.0	65	73	4	13.0	2.5	6	39.0
55	71	76	27.0	67	75	4	13.0	2.5	6	39.0
58	77	82	29.0	70	78	4	13.0	2.5	6	42.0
60	79	84	29.0	72	80	4	13.0	2.5	6	42.0
63	82	87	32.0	75	83	4	13.0	2.5	6	45.0
65	84	89	32.0	77	85	4	13.0	2.5	6	45.0
68	87	92	33.5	81	90	4	15.0	2.5	7	48.5
70	89	94	32.0	83	92	4	15.0	2.5	7	47.0
75	94	99	32.0	88	97	4	15.0	2.5	7	47.0
80	100	105	32.5	95	105	4	15.5	3.0	7	48.0
85	105	110	32.5	100	110	4	15.5	3.0	7	48.0
90	112	117	38.5	105	115	4	15.5	3.0	7	54.0
95	117	122	38.5	110	120	4	15.5	3.0	7	54.0
100	122	127	38.5	115	125	4	15.5	3.0	7	54.0

Dimensions subject to changes or modifications.