

LMS28



COMPONENTS:

- 1 Rotating contact surface
- 2 Stationary contact surface
- 3 O-rings
- 3a O-rings
- 4 Springs
- 5 Metal frame
- 5a Set screws

SECTORS:



CHARACTERISTICS:

- **Balanced.**
- System attached to the shaft by allen screws.
- **Not dependent on the rotation direction.**
- External mounting.

OPERATING LIMITS:

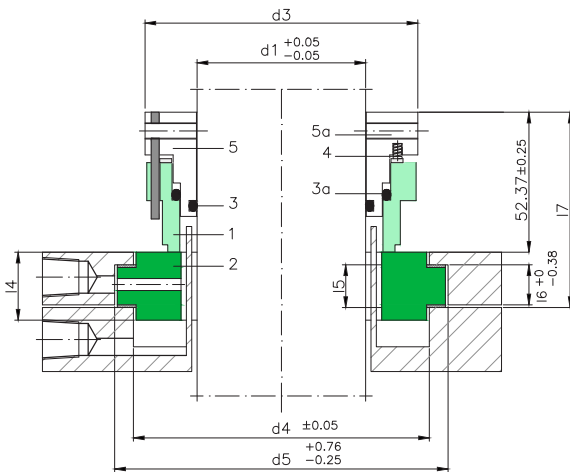
$d_1 = 25 \div 175 \text{ mm}$      $p = 15 \text{ kg/cm}^2$   
 $v = 2 \text{ m/s}$      $t = -20 \div +200^\circ\text{C} (*)$

(\*) The temperature resistance depends on the material of the secondary seals used.

The operating limits are defined by the PV factor which is determined for the sealing system characteristics and those of the application.

DESCRIPTION:

It can be used in vertical agitators with moderate speeds without the need to apply auxiliary lubrication systems. Adapted to DEBRIS cleaning systems.



DIMENSIONS CHART

Dimensions in mm

Shaft	Rotary part	Stationary part						
		$d_4$	$d_5$	$l_4$	$l_5$	$l_6$	$l_7$	
25	63,5	47,6	57,9	20,6	12,7	11,9	69,0	
28	66,6	50,8	61,1	20,6	12,7	11,9	69,0	
30	69,8	53,9	67,5	22,2	12,7	11,9	69,0	
32	69,8	53,9	67,5	22,2	12,7	11,9	69,0	
33	73,0	57,1	70,6	22,2	12,7	11,9	69,0	
35	73,0	57,1	70,6	22,2	12,7	11,9	69,0	
38	76,2	63,5	77,0	22,2	12,7	11,9	69,0	
40	79,3	66,6	80,2	22,2	12,7	11,9	69,0	
43	82,5	69,8	83,3	22,2	12,7	11,9	69,0	
45	85,7	73,0	89,7	25,4	15,9	15,1	73,0	
50	88,9	79,3	96,0	25,4	15,9	15,1	73,0	
53	92,0	79,3	99,2	25,4	15,9	15,1	73,0	
55	95,2	85,7	102,4	25,4	15,9	15,1	73,0	
58	98,4	88,9	105,6	25,4	15,9	15,1	73,0	
60	98,4	88,9	105,6	25,4	15,9	15,1	73,0	
63	101,6	92,0	108,7	25,4	15,9	15,1	73,0	
65	104,7	95,2	111,9	25,4	15,9	15,1	73,0	
68	107,9	98,4	115,1	25,4	15,9	15,1	73,0	
70	107,9	98,4	115,1	25,4	15,9	15,1	73,0	
75	114,3	103,3	119,8	25,4	15,9	15,1	73,0	
80	120,6	111,1	127,8	25,4	15,9	15,1	73,0	
85	123,9	114,3	131,1	25,4	15,9	15,1	73,0	
90	130,2	120,7	137,3	25,4	15,9	15,1	73,0	
95	133,3	123,8	140,5	25,4	15,9	15,1	73,0	
100	139,7	133,3	150,0	25,4	15,9	15,1	73,0	
105	142,9	136,5	153,2	25,4	15,9	15,1	73,0	
110	149,2	142,8	159,5	25,4	15,9	15,1	73,0	
115	155,5	149,2	165,9	25,4	15,9	15,1	73,0	

Dimensions in inches

Shaft	Rotary part	Stationary part						
		$d_4$	$d_5$	$l_4$	$l_5$	$l_6$	$l_7$	
1.00	25.40	63.50	47.63	57.94	20.62	12.70	11.89	69.04
1.13	28.58	66.68	50.80	61.11	20.62	12.70	11.89	69.04
1.25	31.75	69.85	53.98	67.46	20.62	12.70	11.89	69.85
1.38	34.93	73.03	57.15	70.64	20.62	12.70	11.89	69.85
1.50	38.10	76.20	63.50	76.99	20.62	12.70	11.89	69.85
1.63	41.28	79.38	66.68	80.16	20.62	12.70	11.89	69.85
1.75	44.45	82.55	69.85	83.34	20.62	12.70	11.89	73.03
1.88	47.63	85.73	73.03	89.69	25.40	15.88	11.89	73.03
2.00	50.80	88.90	79.38	98.32	25.40	15.88	11.89	73.03
2.13	53.98	92.08	79.38	99.21	25.40	15.88	15.06	73.03
2.25	57.15	95.25	85.73	102.39	25.40	15.88	15.06	73.03
2.38	60.33	98.43	88.90	105.56	25.40	15.88	15.06	73.03
2.50	63.50	101.60	92.08	108.74	25.40	15.88	15.06	73.03
2.63	66.68	104.78	95.25	111.91	25.40	15.88	15.06	73.03
2.75	69.85	107.95	98.43	115.09	25.40	15.88	15.06	73.03
2.88	73.03	111.13	101.60	118.26	25.40	15.88	15.06	73.03
3.00	76.20	114.30	104.78	119.84	25.40	15.88	15.06	73.03
3.13	79.38	117.48	107.95	124.61	25.40	15.88	15.06	73.03
3.25	82.55	120.65	111.13	127.79	25.40	15.88	15.06	73.03
3.38	85.73	123.83	114.30	130.96	25.40	15.88	15.06	73.03
3.50	88.90	127.00	117.48	134.14	25.40	15.88	15.06	73.03
3.63	92.08	130.18	120.65	137.31	25.40	15.88	15.06	73.03
3.75	95.25	133.35	123.83	140.49	25.40	15.88	15.06	73.03
3.88	98.43	136.53	127.00	143.66	25.40	15.88	15.06	73.03
4.00	101.60	139.70	130.18	150.01	25.40	15.88	15.06	73.03
4.13	104.78	142.88	133.35	153.19	25.40	15.88	15.06	73.03
4.25	107.95	146.05	136.53	156.36	25.40	15.88	15.06	73.03
4.38	111.13	149.23	139.70	159.54	25.40	15.88	15.06	73.03
4.50	114.30	152.40	142.88	162.71	25.40	15.88	15.06	73.03

Dimensions subject to changes or modifications.