



CHARACTERISTICS:

- Balanced.
- Multispring.
- Not dependent on the rotation direction.
- Flushing connections.

OPERATING LIMITS:

$d_1 = 50 \div 150 \text{ mm}$ $p = 10 \text{ kg/cm}^2$

$v = 10 \text{ m/s}$ $t = -40 \div +150^\circ\text{C}$ (*)

(*) The temperature resistance depends on the material of the secondary seals used.

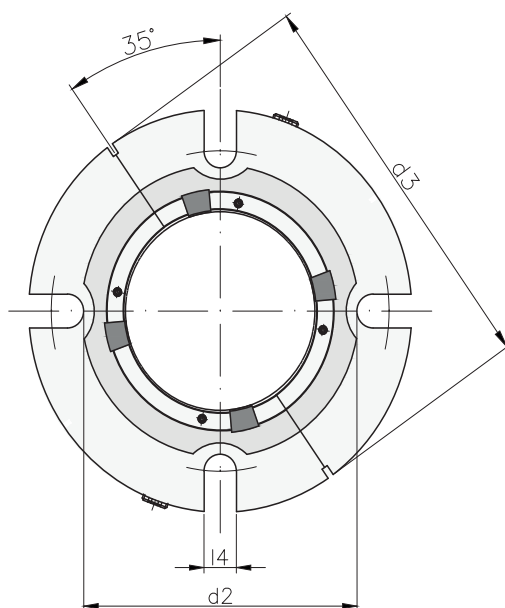
The operating limits are defined by the PV factor which is determined for the sealing system characteristics and those of the application.

DESCRIPTION:

A Split single cartridge with connection for flushing.

For applications where is necessary to replace braided packing and there is enough space in the installation or the removal of the pump is very complex and requires a large investment of time.

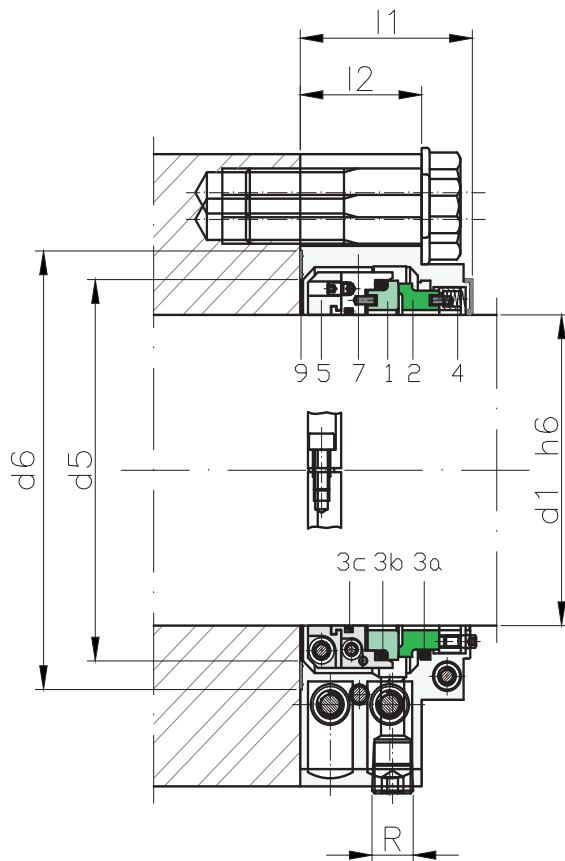
Each half is placed around the shaft. They are joined by screws, without dismantling the pump.



CONNECTIONS (R):

From 50 mm to 82,55 mm: 3/8" NPT.

From 88,9 mm to 150 mm: 1/2" NPT.



COMPONENTS:

- 1 Rotating contact surface
- 2 Stationary contact surface
- 3a O-ring
- 3b O-ring
- 3c O-ring
- 4 Springs
- 5 Metal frame
- 7 Flange
- 9 Flat gasket

DIMENSIONS CHART

Dimensions in inches

Shaft		d ₂	d ₃	d ₅	d ₆	l ₁	l ₂	l ₄
(")	mm							
2,00	50,8	87,7	138	75	84	62,9	45	15
2,15	54	92	147	79	88	62,9	45	15
2,375	60,3	105	149	89	101	64	46	17,5
2,50	63,5	108,5	157	92,5	104,5	64	46	17,5
2,75	69,8	118	176	98	113	64	46	20
3,00	76,2	127	192	107	122	65	47	20
3,25	82,5	135	191	110	132	65	47	20
3,50	89	145	203	121	140	72,4	50,5	22
3,75	95,2	148	206	125	143	72,4	50,5	22
4,00	101,6	155	216	131	150	72,4	50,5	22
4,25	108	170	230	142	165	72,4	50,5	22
4,50	114,3	180	240	152	175	72,4	50,5	22
4,75	120,6	180	240	152	175	72,4	50,5	22
5,00	127	190	268	162	185	89,5	62,5	26
5,50	139,7	205	303	175	200	89,5	62,5	26
6,00	152,4	220	308	188	215	89,5	62,5	26

Dimensions subject to changes or modifications.

DIMENSIONS CHART

Dimensions in mm

Shaft		d ₂	d ₃	d ₅	d ₆	l ₁	l ₂	l ₄
mm								
50	88	138	75	84	63	45	15	
60	105	149	89	101	64	46	17,5	
70	118	176	98	113	64	46	20	
80	135	191	110	132	65	47	20	
90	145	203	121	140	72,5	50,5	22	
100	155	216	131	150	72,5	50,5	22	
110	170	230	142	165	72,5	50,5	22	
120	180	240	152	175	72,5	50,5	22	
125	190	268	162	185	89,5	62,5	26	
140	205	303	175	200	89,5	62,5	26	
150	220	308	188	215	89,5	62,5	26	

Dimensions subject to changes or modifications.