



## CHARACTERISTICS:

- Balanced.
- Multispring.
- Not dependent on the rotation direction.
- Stuffing box gland shape.
- Flush and drain connections.

## OPERATING LIMITS:

$$d_f = 25 \div 70 \text{ mm} \quad p = 20 \text{ kg/cm}^2$$

$$v = 11.2 \text{ m/s} \quad t = -15 \div +200^\circ\text{C} (*)$$

(\*) The temperature resistance depends on the material of the secondary seals used.

The operating limits are defined by the PV factor which is determined for the sealing system characteristics and those of the application.

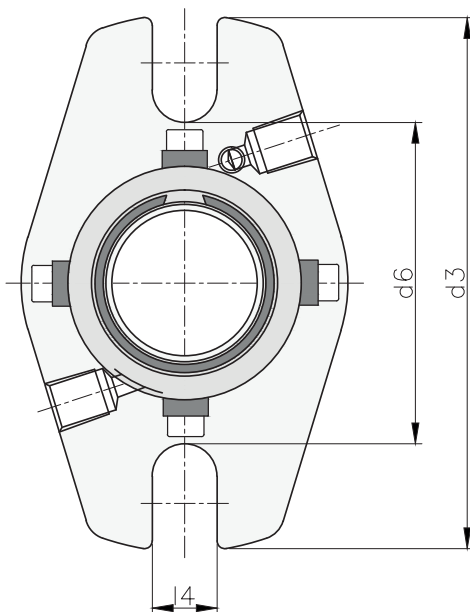
## DESCRIPTION:

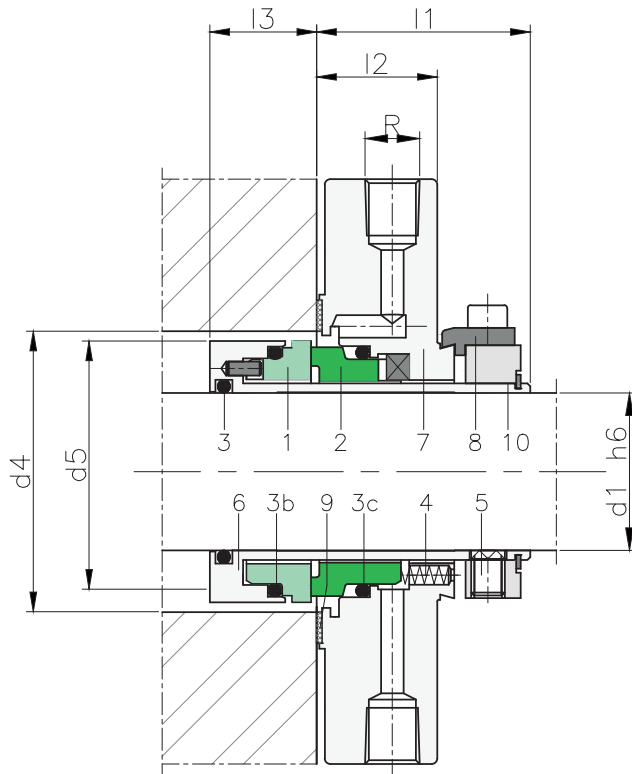
Cartridge cast flange with a stuffing box gland shape for replacing packing in pumps.

The springs are protected from the product to prevent the blocking in applications with particle-laden fluids. The flange has two connections, one for flushing and cleaning the faces, and the another is a drain to clean the springs and also to control the small leaks.

## CONNECTIONS (R):

From 25 mm to 70 mm: 1/8" NPT.





## COMPONENTS:

- 1 Rotating contact surface
- 2 Stationary contact surface
- 3 O-rings
- 4 Springs
- 5 Set screws
- 6 Sleeve
- 7 Flange
- 8 Setting clips
- 9 Flat gasket
- 10 Drive ring

## DIMENSIONS CHART

Dimensions in mm

Shaft									
mm	d <sub>3</sub>	d <sub>4</sub> min.	d <sub>4</sub> max.	d <sub>5</sub>	d <sub>6</sub>	l <sub>1</sub>	l <sub>2</sub>	l <sub>3</sub>	l <sub>4</sub>
25	104	49	60	43,5	62	38	22	19	12,5
28	104	50	61	46,5	63	38	22	19	12,5
30	104	52	63	48,5	65	38	22	19	12,5
33	104	54	65	51,5	69	38	22	19	12,5
35	115	57	68	53,5	70	38	22	19	12,5
38	125	62	73	56,5	75	38	22	19	14,7
40	125	62	73	58,5	75	38	22	19	14,7
42	133	66	77	60,5	79	38	22	19	14,7
43	133	67	78	61,5	80	38	22	19	14,7
45	140	68	79	63,5	81	38	22	19	14,7
48	140	71	82	66,5	84	38	22	19	14,7
50	140	74	85	68,5	87	38	22	19	14,7
53	150	77	88	71,5	92	38	22	19	17,5
55	150	79	90	73,5	92	38	22	19	17,5
58	155	82	93	76,5	95	38	22	19	17,5
60	160	87	98	78,5	100	38	22	19	17,5
63	165	90	101	81,5	103	38	22	19	17,5
65	165	92	103	83,5	105	38	22	19	17,5
68	170	97	108	86,5	110	38	22	19	17,5
70	180	107	118	88,5	120	38	22	19	17,5

Dimensions subject to changes or modifications.

Dimensions in inches

Shaft										
(")	mm	d <sub>3</sub>	d <sub>4</sub> min	d <sub>4</sub> max	d <sub>5</sub>	d <sub>6</sub>	l <sub>1</sub>	l <sub>2</sub>	l <sub>3</sub>	l <sub>4</sub>
1,000	25,40	104	49	61	46,5	63	38	21,5	19	12,5
1,125	28,58	104	52	63	48,5	65	38	21,5	19	12,5
1,250	31,75	104	54	65	51,5	69	38	21,5	19	12,5
1,375	34,93	115	57	68	53,5	70	38	21,5	19	12,5
1,500	38,10	125	62	73	56,5	75	38	21,5	19	14,7
1,625	41,28	133	66	77	60,5	79	38	21,5	19	14,7
1,750	44,45	140	68	79	63,5	81	38	21,5	19	14,7
1,875	47,63	140	71	82	66,5	84	38	21,5	19	14,7
2,000	50,80	150	77	88	71,5	92	38	21,5	19	17,5
2,125	53,98	150	79	90	73,5	92	38	21,5	19	17,5
2,250	57,15	155	82	93	76,5	95	38	21,5	19	17,5
2,375	60,33	160	87	98	78,5	100	38	21,5	19	17,5
2,500	63,50	165	90	101	81,5	103	38	21,5	19	17,5
2,625	66,68	170	97	108	86,5	110	38	21,5	19	17,5
2,750	69,85	180	107	118	88,5	120	38	21,5	19	17,5