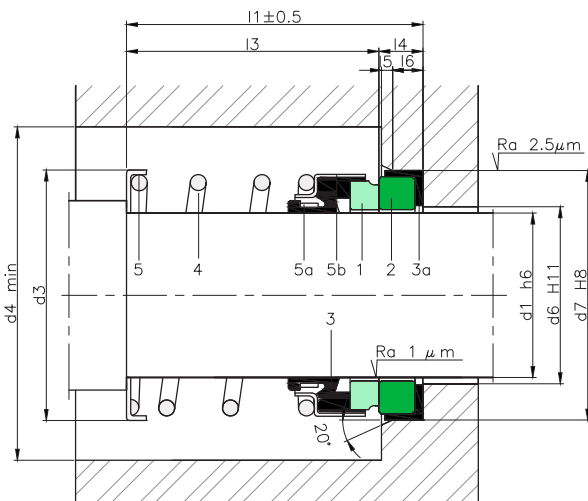


PNL



COMPONENTS:

- 1 Rotating contact surface
- 2 Stationary contact surface
- 3 Bellows
- 3a Elastomeric cup
- 4 Spring
- 5 Ring
- 5a Drive ring
- 5b Metal frame



SECTORS:



CHARACTERISTICS:

- Unbalanced.
- Not dependent on the rotation direction.
- Single cylindrical spring.

OPERATING LIMITS:

$d_i = 8 \div 40 \text{ mm}$ $p = 12 \text{ kg/cm}^2$

$v = 10 \text{ m/s}$ $t = -20 \div +120^\circ\text{C} (*)$

(*) The temperature resistance depends on the material of the secondary seals used.

The operating limits are defined by the PV factor which is determined for the sealing system characteristics and those of the application.

DESCRIPTION:

Mechanical seal with a simple design for general use.

DIMENSIONS CHART

Dimensions in mm

Shaft mm	Rotary part			Stationary part					Total length l_1
	d_3	d_4	l_3	d_6	d_7	l_4	l_5	l_6	
8	22	27	15.5	14	26.00	5.5	0.5	4.5	21.0
10	22	27	15.5	14	26.00	5.5	0.5	4.5	21.0
11	22	27	15.5	14	26.00	5.5	0.5	4.5	21.0
12	22	27	15.5	14	26.00	5.5	0.5	4.5	21.0
13 A	28	33	18.0	17	29.50	8.0	1.0	6.0	26.0
13 B	32	37	13.0	17	29.50	8.0	1.0	6.0	21.0
14 B	28	33	18.0	17	29.50	8.0	1.0	6.0	26.0
14 C	28	33	22.0	19	23.10	6.0	1.2	3.0	28.0
14 A	32	37	13.0	17	29.50	8.0	1.0	6.0	21.0
15 A	28	33	18.0	17	29.50	8.0	1.0	6.0	26.0
15 B	32	37	13.0	17	29.50	8.0	1.0	6.0	21.0
16 C	28	33	18.0	17	29.50	8.0	1.0	6.0	26.0
16 F	28	33	23.0	21	26.90	7.0	1.5	4.0	30.0
16 E	31	36	29.0	17	29.50	8.0	1.0	6.0	37.0
16 A	32	37	13.0	17	29.50	8.0	1.0	6.0	21.0
16 D	32	37	13.0	17	42.00	8.0	1.0	6.0	21.0
16 B	33	38	16.3	17	29.50	8.0	1.0	6.0	24.0
18 A	32	37	24.0	20	42.00	8.0	1.0	6.0	32.0
18 B	32	37	24.0	25	30.90	8.0	1.5	4.0	32.0
19.05	32	37	19.0	22	35.00	10.2	1.2	7.8	24.0
19.05	32	37	22.0	22	35.00	10.2	1.2	7.8	32.2
20 A	32	37	22.0	22	42.00	8.0	1.0	6.0	30.0
20 B	44	49	14.0	22	42.00	8.0	1.0	6.0	22.0
22 A	39	44	25.0	30	35.40	8.0	2.0	4.0	33.0
22	44	49	14.0	23	42.00	8.0	1.0	6.0	22.0
25.4	42	47	27.2	29	41.25	11.0	1.5	8.5	38.2
30 B	52	57	28.0	33	52.00	12.0	1.5	8.5	40.0
30A	60	65	22.0	33	52.00	12.0	1.5	8.5	34.0
31.75	52	57	49.2	34	47.62	11.0	1.5	8.5	60.2
40	63	68	35.0	45	68.00	12.0	1.5	8.5	47.0

Dimensions subject to changes or modifications.