

# LRB03 - LRB03A - LRB03B



TYPE LRB03

**COMPONENTS:**

- 1 Rotating contact surface
- 2 Stationary contact surface
- 3 Bellows
- 3a Elastomeric cup
- 4 Spring
- 5 Metal frame

**SECTORS:**



**CHARACTERISTICS:**

- Unbalanced.
- Not dependent on the rotation direction.
- Single cylindrical spring.

**OPERATING LIMITS:**

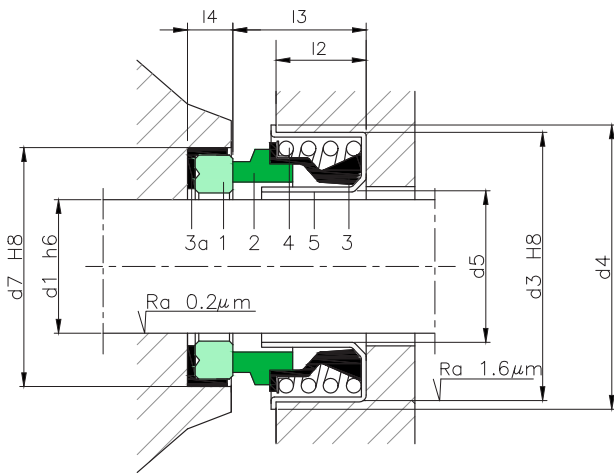
$d_1 = 10 \div 30 \text{ mm}$       $p = 6 \text{ kg/cm}^2$   
 $v = 10 \text{ m/s}$       $t = -20 \div +100^\circ\text{C} (*)$

(\*) The temperature resistance depends on the material of the secondary seals used.

The operating limits are defined by the PV factor which is determined for the sealing system characteristics and those of the application.

**DESCRIPTION:**

Mechanical seal with a compact design and small dimensions which is ideal for simple hydromassage or drinking water pumps. The rotating part is attached to the pump impeller, rotates together with it. The stationary part is secured to the housing on its external diameter.



**DIMENSIONS CHART LRB03**

Dimensions in mm

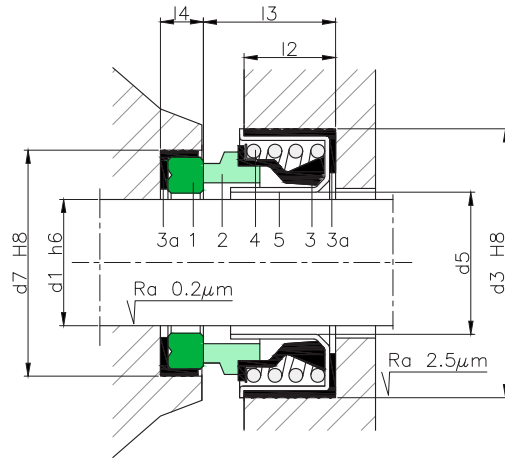
Shaft		Rotary part		Stationary part				
(")	mm	d <sub>7</sub>	l <sub>4</sub>	d <sub>3</sub>	d <sub>4</sub>	d <sub>5</sub>	l <sub>2</sub>	l <sub>3</sub>
1/2	13	25.0	7.5	28.5	32.0	14.5	8.0	13.2
1/2 B	13	25.0	5.0	28.5	32.0	14.5	8.0	13.2
1/2 C	13	25.0	5.0	30.0	34.5	14.0	7.5	13.2
5/8	16	31.7	10.0	36.5	41.0	17.5	8.5	16.3
5/8 B	16	31.0	5.0	36.5	41.0	17.5	8.5	16.3
3/4	19	35.0	10.0	40.0	43.0	21.5	9.5	16.0
3/4 B	19	35.0	5.0	40.0	43.0	21.5	9.5	16.0
1	25	41.0	11.0	47.0	51.0	26.5	11.0	18.0
1 1/8	29	48.0	8.5	52.0	57.0	31.0	11.0	18.5

Dimensions subject to changes or modifications.

# LRB03A



TYPE LRB03A



## DIMENSIONS CHART LRB03A

Dimensions in mm

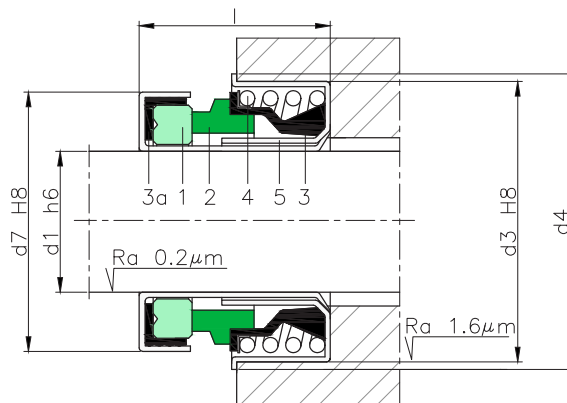
Shaft mm	Rotary part		Stationary part			
	$d_7$	$l_4$	$d_3$	$d_5$	$l_2$	$l_3$
10	23.0	4	27	11.0	7.5	14.0
12	25.0	5	32	14.2	8.5	14.2
16	31.0	5	41	18.2	10.0	16.8
20	35.0	5	45	21.4	10.0	17.5
25	41.3	11	52	26.4	11.5	20.0
30	48.0	8	58	31.0	12.5	21.0

Dimensions subject to changes or modifications.

# LRB03B



TYPE LRB03B



## DIMENSIONS CHART LRB03B

Dimensions in mm

Shaft mm	$d_3$	$d_4$	$d_7$	$l$	
12	12.0	30.00	35.0	25.0	17.7
12 B	12.0	28.55	32.0	25.0	17.7
12 C	12.0	33.40	38.0	25.0	17.5
13	13.0	30.00	35.0	25.0	17.7
15	15.0	36.50	41.5	30.0	20.0
16	16.0	36.50	41.5	30.0	20.0
16 B	16.0	38.10	41.3	28.5	20.0
20	20.0	40.00	43.7	37.0	22.0
20 B	20.0	38.00	43.7	37.0	22.0

Dimensions subject to changes or modifications.