

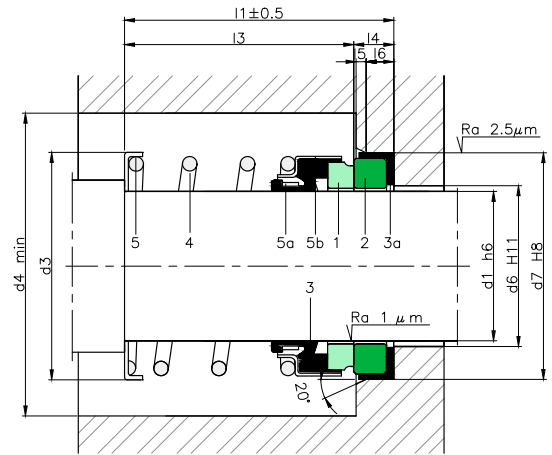


### DIMENSIONS CHART LRB04 / LRB04A

Dimensions in mm

Shaft mm	Rotary part				Stationary part							Total length
	d <sub>3</sub>	d <sub>4</sub>	l <sub>3</sub>	l <sub>3A</sub>	d <sub>6</sub>	d <sub>7</sub>	l <sub>4</sub>	l <sub>4A</sub>	l <sub>5</sub>	l <sub>6</sub>	l <sub>1</sub>	
10	20	25	23.9	---	17	21	8.6	---	1.5	4	32.5	
12	22	27	23.9	26	19	23	8.6	6.5	1.5	4	32.5	
14	24	29	26.4	---	21	25	8.6	---	1.5	4	35.0	
16	26	31.5	26.4	24.7	23	27	8.6	10.3	1.5	4	35.0	
18	32	37	27.5	---	27	33	10.0	---	2.0	4	37.5	
20	34	39.5	27.5	---	29	35	10.0	---	2.0	5	37.5	
22	36	41	27.5	26.5	31	37	10.0	11	2.0	5	37.5	
24	38	45	30.0	29.0	33	39	10.0	11	2.0	5	40.0	
25	39	45	30.0	29.0	34	40	10.0	11	2.0	5	40.0	
28	42	49.5	32.5	31.5	37	43	10.0	11	2.0	5	42.5	
30	44	52	32.5	31.5	39	45	10.0	11	2.0	5	42.5	
32	46	52	32.5	31.5	42	48	10.0	11	2.0	5	42.5	
33	47	55.5	32.5	31.5	42	48	10.0	11	2.0	5	42.5	
35	49	56.5	32.5	31.5	44	50	10.0	11	2.0	5	42.5	
38	54	60	34.0	---	49	56	11.0	---	2.0	6	45.0	
40	56	63	34.0	32.3	51	58	11.0	12.7	2.0	6	45.0	
43	59	66.5	34.0	32.3	54	61	11.0	12.7	2.0	6	45.0	
45	61	66.5	34.0	32.3	56	63	11.0	12.7	2.0	6	45.0	
48	64	70.5	34.0	32.3	59	66	11.0	12.7	2.0	6	45.0	
50	66	75	34.5	34.8	62	70	13.0	12.7	2.5	6	47.5	
53	69	79	34.5	33.2	65	73	13.0	14.3	2.5	6	47.5	
55	71	81	34.5	33.2	67	75	13.0	14.3	2.5	6	47.5	
58	78	84	39.5	38.2	70	78	13.0	14.3	2.5	6	52.5	
60	80	87	39.5	38.2	72	80	13.0	14.3	2.5	6	52.5	
63	83	91	39.5	38.2	75	83	13.0	14.3	2.5	6	52.5	
65	85	92	39.5	36.5	77	85	13.0	16	2.5	6	52.5	
68	88	96.5	37.2	36.5	81	90	15.3	16	2.5	7	52.5	
70	90	98	44.7	44.0	83	92	15.3	16	2.5	7	60.0	
75	99	104	44.7	---	88	97	15.3	---	2.5	7	60.0	
80	104	109	44.3	---	95	105	15.7	---	3.0	7	60.0	
85	109	114	44.3	---	100	110	15.7	---	3.0	7	60.0	
90	114	119	49.3	---	105	115	15.7	---	3.0	7	65.0	
95	119	124	49.3	---	110	120	15.7	---	3.0	7	65.0	
100	124	129	49.3	---	115	125	15.7	---	3.0	7	65.0	

Dimensions subject to changes or modifications.



### DIMENSIONS CHART LRB06

Dimensions in mm

Shaft mm	Rotary part			Stationary part						Total length
	d <sub>3</sub>	d <sub>4</sub>	l <sub>3</sub>	d <sub>6</sub>	d <sub>7</sub>	l <sub>4</sub>	l <sub>5</sub>	l <sub>6</sub>	l <sub>1</sub>	
10	20	25	25.4	16.0	24.6	8.7	1.5	7.5	34.1	
12	22	27	25.4	19.0	27.8	8.7	1.5	7.5	34.1	
13	24	29	25.4	19.0	27.8	8.7	1.5	7.5	34.1	
14	24	29	25.4	22.2	30.9	10.3	1.5	7.5	34.1	
15	26	31	25.4	22.2	30.9	10.3	1.5	7.5	35.7	
16	26	31	25.4	22.2	30.9	10.3	1.5	7.5	34.1	
18	32	37	25.4	25.4	34.1	10.3	1.5	7.5	34.1	
19	34	39	25.4	25.4	34.1	10.3	1.5	7.5	34.1	
20	34	39	25.4	27.0	35.7	10.3	1.5	7.5	35.7	
22	36	41	25.4	28.6	37.3	10.3	1.5	7.5	34.1	
24	38	43	25.4	31.7	40.5	10.3	1.5	7.5	34.1	
25	39	44	25.4	31.7	40.5	10.3	1.5	7.5	35.7	
28	42	47	33.3	35.7	47.6	12.0	2.0	8.5	45.3	
30	44	49	33.3	38.9	50.8	12.0	2.0	8.5	45.3	
32	46	51	33.3	38.9	50.8	12.0	2.0	8.5	45.3	
33	47	52	33.3	42.1	54.0	12.0	2.0	8.5	45.3	
34	49	54	33.3	42.1	54.0	12.0	2.0	8.5	45.3	
35	49	54	33.3	42.1	54.0	12.0	2.0	8.5	45.3	
38	54	59	33.3	45.2	57.2	12.0	2.0	8.5	45.3	
40	56	61	33.3	48.8	60.3	12.0	2.0	8.5	45.3	
42	59	64	40.5	51.6	63.5	12.0	2.0	8.5	52.5	
43	59	64	40.5	51.6	63.5	12.0	2.0	8.5	52.5	
44	61	66	40.5	51.6	63.5	12.0	2.0	8.5	52.5	
45	61	66	40.5	51.6	63.5	12.0	2.0	8.5	52.5	
48	64	69	40.5	54.8	66.7	12.0	2.0	8.5	52.5	
50	66	71	40.5	58.0	69.8	12.0	2.0	8.5	52.5	
53	69	74	41.0	62.0	73.0	13.5	2.0	10.0	54.5	
55	71	76	41.0	65.0	76.2	13.5	2.0	10.0	54.5	
58	78	83	41.0	68.0	79.4	13.5	2.0	10.0	54.5	
60	80	85	41.0	68.0	79.4	13.5	2.0	10.0	54.5	
63	83	88	41.0	71.2	82.5	13.5	2.0	10.0	54.5	
65	85	90	49.0	78.3	92.1	15.9	2.0	12.0	64.9	
70	90	95	49.0	81.1	95.5	15.9	2.0	12.0	64.9	
75	99	104	49.0	88.1	101.6	15.9	2.0	12.0	64.9	
80	104	109	56.0	97.0	114.3	20.0	2.0	16.5	76.0	
85	109	114	56.0	100.0	117.5	20.0	2.0	16.5	76.0	
90	114	119	59.0	107.0	123.8	20.0	2.0	16.5	79.0	
95	119	124	59.0	110.0	127.0	20.0	2.0	16.5	79.0	
100	124	129	62.0	116.0	133.3	20.0	2.0	16.5	82.0	

Dimensions subject to changes or modifications.

