



CHARACTERISTICS:

- Balanced.
- Welded metal bellows.
- Not dependent on the rotation direction.
- Barrier fluid connections.

OPERATING LIMITS:

$$d_1 = 25 \div 85 \text{ mm} \quad p = 20 \text{ kg/cm}^2$$

$$v = 20 \text{ m/s} \quad t = -15 \div +200^\circ\text{C} (*)$$

(*) The temperature resistance depends on the material of the secondary seals used.

The operating limits are defined by the PV factor which is determined for the sealing system characteristics and those of the application.

DESCRIPTION:

Double cartridge seal with a "tandem" arrangement suitable for working with pressurised or non-pressurised barrier fluids.

The metal bellows design has a self-cleaning effect that prevents particles from building up inside it.

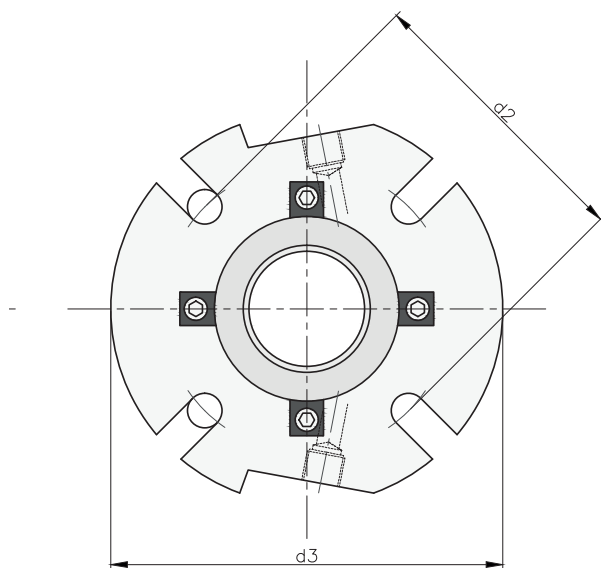
This model is recommended in extremely demanding applications: with high-viscosity fluids, sticky fluids, particle-laden fluids, fluids with few lubricating and/or pollutant properties and in high temperature applications.

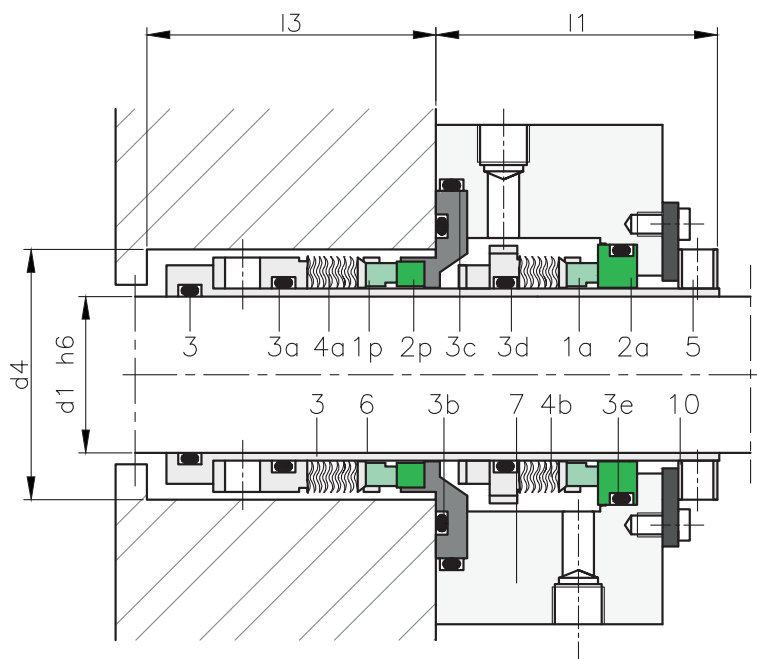
Highly reliable cartridge.

CONNECTIONS (R):

From 25 mm to 65 mm: 1/4" NPT.

From 70 mm to 85 mm: 3/8" NPT.





COMPONENTS:

- 1p Rotating contact surface product side
- 2p Stationary contact surface product side
- 1a Rotating contact surface atmospheric side
- 2a Stationary contact surface atmospheric side
- 3 O-rings
- 4 Metal bellows
- 5 Set screws
- 6 Sleeve
- 7 Flange
- 8 Setting clips
- 9 Flat gasket
- 10 Drive ring

DIMENSIONS CHART

Dimensions in mm

Shaft							
mm	d ₃	d ₄ min	d ₄ max.	d ₆	l ₁	l ₃	l ₄
25	105	44,5	47,8	64	52,3	51,6	12,7
28	108	44,5	47,8	64	52,3	51,6	12,7
32	108	50,8	54,1	67	54,1	52,3	12,7
35	108	50,8	55,6	73	51,6	52,3	12,7
38	114,3	57,2	60,5	79,3	54,1	57,2	14,3
45	139,7	63,5	65	82,6	54,1	59,4	14,3
48	139,7	66,8	68,3	85,7	54,1	59,4	14,3
50	139,7	69,9	74,7	92,3	54,1	59,4	14,3
55	152,4	76,2	81	98,4	54,1	61	18
58	158,8	79,5	81	98,4	54,1	61	18
60	158,8	82,6	87,4	101,7	57,2	58,7	18
63	165,1	85,9	87,4	106	55,6	61	18
65	165	89	92	106	57,2	58	18
85	203	113	116	135	64	61	22

Dimensions in inches

Shaft								
(")	mm	d ₃ mm	d ₄ min	d ₄ max.	d ₆ mm	l ₁ mm	l ₃ mm	l ₄ mm
1,000	25,40	104,9	44,5	47,8	64,0	52,3	51,6	12,7
1,130	28,58	108,0	44,5	47,8	64,0	52,3	51,6	12,7
1,250	31,75	108,0	50,8	54,1	67,0	54,1	52,3	12,7
1,380	34,93	108,0	50,8	55,6	73,0	51,6	52,3	12,7
1,500	38,10	114,3	57,2	60,5	79,3	54,1	57,2	14,3
1,630	41,28	127,0	60,5	63,5	80,9	54,1	56,1	14,3
1,750	44,45	139,7	63,5	65,0	82,6	54,1	59,4	14,3
1,880	47,63	139,7	66,8	68,3	95,7	54,1	59,4	14,3
2,000	50,80	139,7	69,9	74,7	92,3	54,1	59,4	14,3
2,130	53,98	152,4	76,2	81,0	98,4	54,1	61,0	18,0
2,250	57,15	158,8	79,5	81,0	98,4	54,1	61,0	18,0
2,380	60,33	158,8	82,6	87,4	101,7	57,2	58,7	18,0
2,500	63,50	165,1	85,9	87,4	106,0	55,6	61,2	18,0

Dimensions subject to changes or modifications.