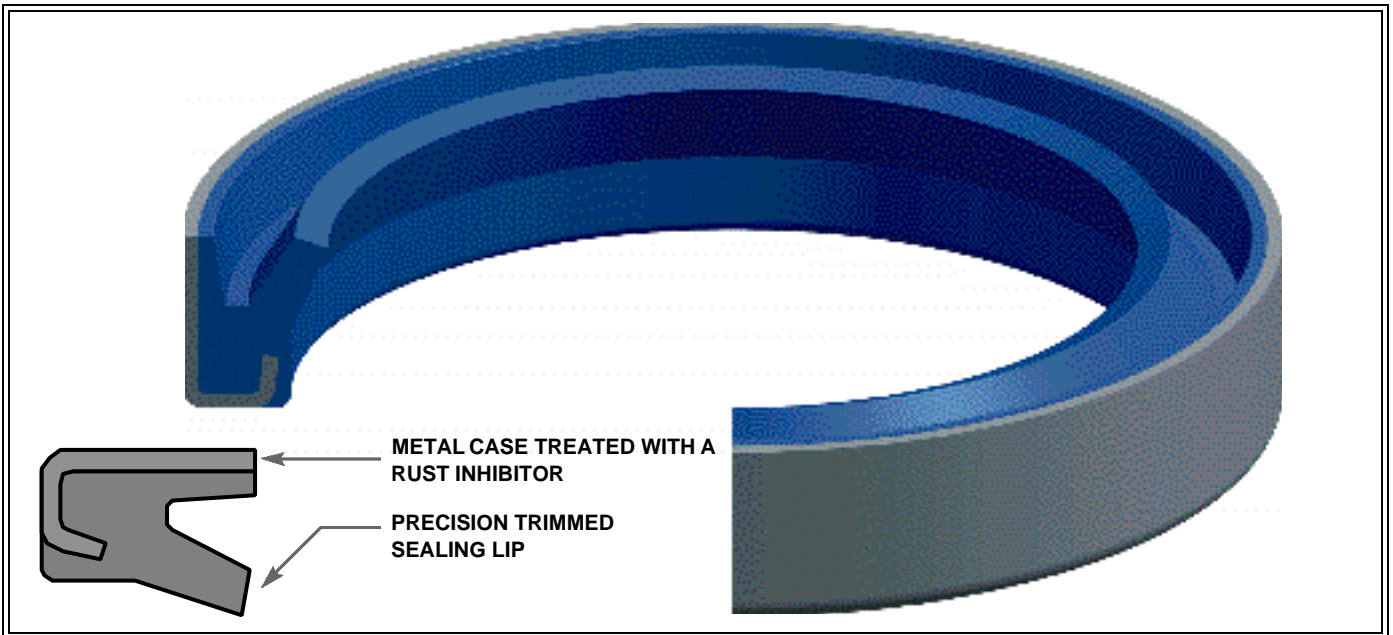


# Hallite 862



## FEATURES

- EASE OF ASSEMBLY
- LONG LIFE
- PRECISION TRIMMED WIPING LIP
- METAL CASE TREATED WITH A RUST INHIBITOR
- WIDE RANGE OF APPLICATION USES

## MEDIA

Seals are suitable for mineral based hydraulic fluids.

OPERATING CONDITIONS					
TEMPERATURE RANGE					
		-30°C + 80°C		-22°F +176°F	
SURFACE ROUGHNESS					
		µmRa	µmRt	µin CLA	RMS
DYNAMIC SEALING FACE	Ød <sub>1</sub>	0.1 to 0.4	4 max	4 to 16	5 to 18
STATIC SEALING FACE	ØD <sub>1</sub>	1.6 max	10 max	63 max	70 max
STATIC HOUSING FACES	L <sub>1</sub>	3.2 max	16 max	125 max	140 max
CHAMFERS & RADII mm					
ROD DIAMETER	Ød <sub>1</sub>	up to 19mm	up to 80mm	above 80mm	
MIN CHAMFER	C	0.5	1.0	1.5	
MAX FILLET RAD	r <sub>1</sub>	0.4	0.4	0.4	
CHAMFERS & RADII in					
MIN CHAMFER1	C	0.040			
MAX FILLET RAD	r <sub>1</sub>	0.016			

## DESIGN

The Hallite type 862 is a metal cased wiper, designed to press-fit into open groove housings. The type 862 comprises a precisely trimmed polyurethane wiping element which is securely bonded to a metal case treated with a rust inhibitor. Capable of operating in dirty conditions, the proportions of the polyurethane wiping lip allow it to follow the side movement of the rod and to clear away heavily deposited dirt.

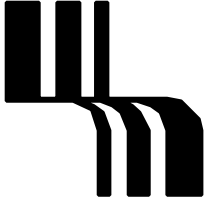
Suitable for light, medium and heavy duty applications, the wiper has been designed to provide ease of installation and offers excellent durability in service. The type 862 offers a range of sizes suitable for standard American inch housings.

All our activities conform to the highest quality assurance systems.

Hallite Seals International quality management systems

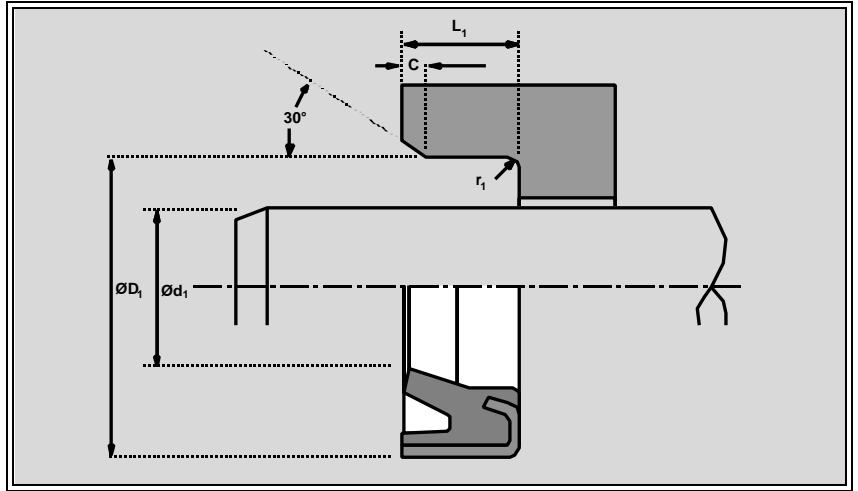
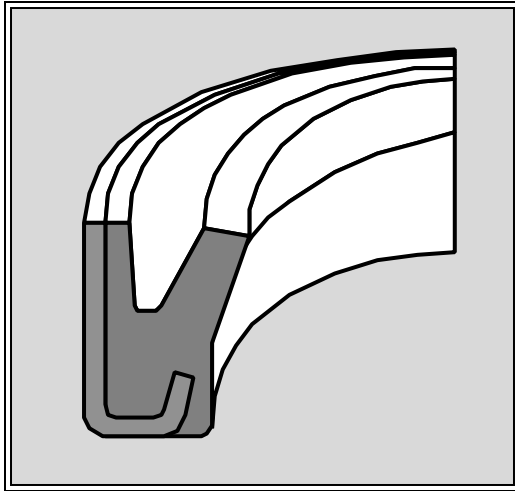
are accredited to ISO 9001 and are approved by many of the world's foremost OEM's.





# Hallite 862

inch



ROD DIA Ød <sub>1</sub>	TOL f <sub>9</sub>	HOUSING DIA ØD <sub>1</sub>	TOL H8	HOUSING LENGTH L <sub>1</sub>	TOL	PART NUMBER
0.625	-0.0006 -0.0023	1.125	+0.0012 +0.0000	0.313	+0.020 -0.000	6960000
0.750	-0.0008 -0.0028	1.250	+0.0016 +0.0000	0.313	+0.020 -0.000	6960010
1.000	-0.0008 -0.0028	1.500	+0.0016 +0.0000	0.313	+0.020 -0.000	6960020
1.125	-0.0008 -0.0028	1.625	+0.0016 +0.0000	0.313	+0.020 -0.000	6960030
1.250	-0.0010 -0.0034	1.750	+0.0016 +0.0000	0.313	+0.020 -0.000	6960040
1.375	-0.0010 -0.0034	1.875	+0.0016 +0.0000	0.313	+0.020 -0.000	6960050
1.500	-0.0010 -0.0034	2.000	+0.0018 +0.0000	0.313	+0.020 -0.000	6960060
1.625	-0.0010 -0.0034	2.125	+0.0018 +0.0000	0.313	+0.020 -0.000	6960070
1.750	-0.0010 -0.0034	2.250	+0.0018 +0.0000	0.313	+0.020 -0.000	6960080
2.000	-0.0012 -0.0041	2.500	+0.0018 +0.0000	0.313	+0.020 -0.000	6960090
2.250	-0.0012 -0.0041	2.750	+0.0018 +0.0000	0.313	+0.020 -0.000	6960100
2.500	-0.0012 -0.0041	3.000	+0.0018 +0.0000	0.313	+0.020 -0.000	6960110
2.750	-0.0012 -0.0041	3.250	+0.0022 +0.0000	0.313	+0.020 -0.000	6960120

ROD DIA Ød <sub>1</sub>	TOL f <sub>9</sub>	HOUSING DIA ØD <sub>1</sub>	TOL H8	HOUSING LENGTH L <sub>1</sub>	TOL	PART NUMBER
3.000	-0.0012 -0.0041	3.500	+0.0022 +0.0000	0.313	+0.020 -0.000	6960130
3.250	-0.0014 -0.0048	3.750	+0.0022 +0.0000	0.313	+0.020 -0.000	6960140
3.250	-0.0014 -0.0048	3.875	+0.0022 +0.0000	0.313	+0.020 -0.000	6960150
3.500	-0.0014 -0.0048	4.000	+0.0022 +0.0000	0.313	+0.020 -0.000	6960160
3.500	-0.0014 -0.0048	4.125	+0.0022 +0.0000	0.313	+0.020 -0.000	6960170
3.750	-0.0014 -0.0048	4.375	+0.0022 +0.0000	0.313	+0.020 -0.000	6960180
4.000	-0.0014 -0.0048	4.625	+0.0022 +0.0000	0.313	+0.020 -0.000	6960190
4.000	-0.0014 -0.0048	4.750	+0.0025 +0.0000	0.313	+0.020 -0.000	6960200
4.000	-0.0014 -0.0048	5.000	+0.0025 +0.0000	0.500	+0.020 -0.000	6960210
4.500	-0.0014 -0.0048	5.125	+0.0025 +0.0000	0.313	+0.020 -0.000	6960220
4.500	-0.0014 -0.0048	5.500	+0.0025 +0.0000	0.500	+0.020 -0.000	6960230
5.000	-0.0016 -0.0056	5.625	+0.0025 +0.0000	0.313	+0.020 -0.000	6960240
5.000	-0.0016 -0.0056	6.000	+0.0025 +0.0000	0.500	+0.020 -0.000	6960250