

Hallite 80

Hallite Seals International Limited
130 Oldfield Road, Hampton
Middlesex. TW12 2HT
Tel : 0181 941 2244
Fax : 0181 783 1669
e-mail: seals@hallite.co.uk

Australia
Hallite Seals Australia Pty Limited
1/1 St. James Place
Seven Hills, N.S.W. 2147
(PO Box 91)
Tel : 02 9620 7300
Fax : 02 9620 7400
e-mail: seals@hallite.com.au

Canada
Hallite Seals (Canada) Limited
83 Galaxy Boulevard. # 41
Etobicoke, Ontario.
Canada. M9W 5X6
Tel : (416) 675 2505
Fax : (416) 675 4341
e-mail: seals@hallite.ca

France
Hallite (France) Limited
Z.A. Les Petits Carreaux, 1 Av Des Lys
94385 Bonneuil-sur-marne, Cedex.
Tel : 01 43 77 85 50
Fax : 01 43 77 93 93

Germany
Dichtelemente Hallite GmbH.
Billwerder Ring 17
21035 Hamburg.
Tel : (040) 73 47 48-0
Fax : (040) 73 47 48 49
e-mail: seals@hallite.de

Italy
Hallite Italia S.r.l.
Via Umbria, 33
57017 Stagno - Collesalveti
(Livorno) Italia.
Tel : 0586 943666
Fax : 0586 943700

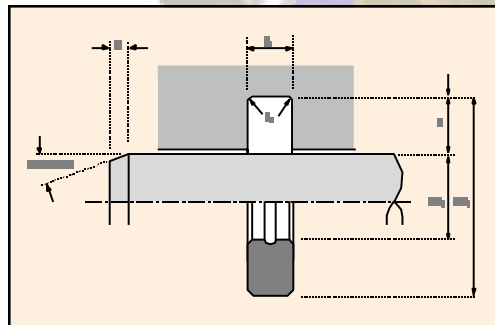
U.S.A.
Hallite Seals Inc.
3820 Merchant Road
Fort Wayne, Indiana. 46818
Tel : (219) 489 0002
Fax : (219) 489 5119
e-mail: seals@hallite-usa.com



All our activities conform to the highest quality assurance systems. Hallite Seals International quality management systems are accredited to ISO 9001 and are approved by many of the world's foremost OEM's.

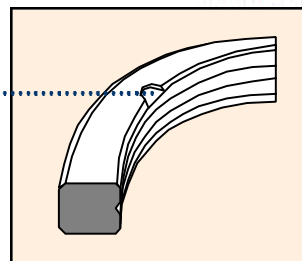
Designed & engineered for ease of use

The Hallite 80 is designed specifically for use in swivel joints or rotary unions commonly found on earthmoving equipment. Swivel joints are used on machines where a 360° movement is required and enables hydraulic pressure to be transferred through the joint. A one piece seal manufactured in Hallite's Hythane® 181, the Hallite 80 is easily fitted in its groove and provides excellent sealing under normal working conditions.



The Hallite 80

- **Pops in the groove**
The elastic and flexible nature of the Hythane material enables the Hallite 80 to be easily fitted in its groove.
- **Replaces 2 part seals**
The Hallite 80 swivel seal is a one piece double acting seal and replaces two part seals typically used in swivel joints.
- **Hard wearing**
The hard wearing nature of Hallite's Hythane material provides long life in service .
- **Instant sealing**
Special pressure activation grooves are incorporated in the seal's design to enable an immediate seal of the joint.
- **Excellent service range**
The Hallite 80 is designed to operate under normal working conditions at pressures of 350 bar / 5000 p.s.i. and at temperatures of between -45°C to 110°C and -50°F to 230°F.



A subsidiary of
Wellington Holdings