

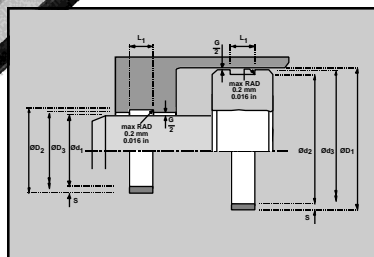
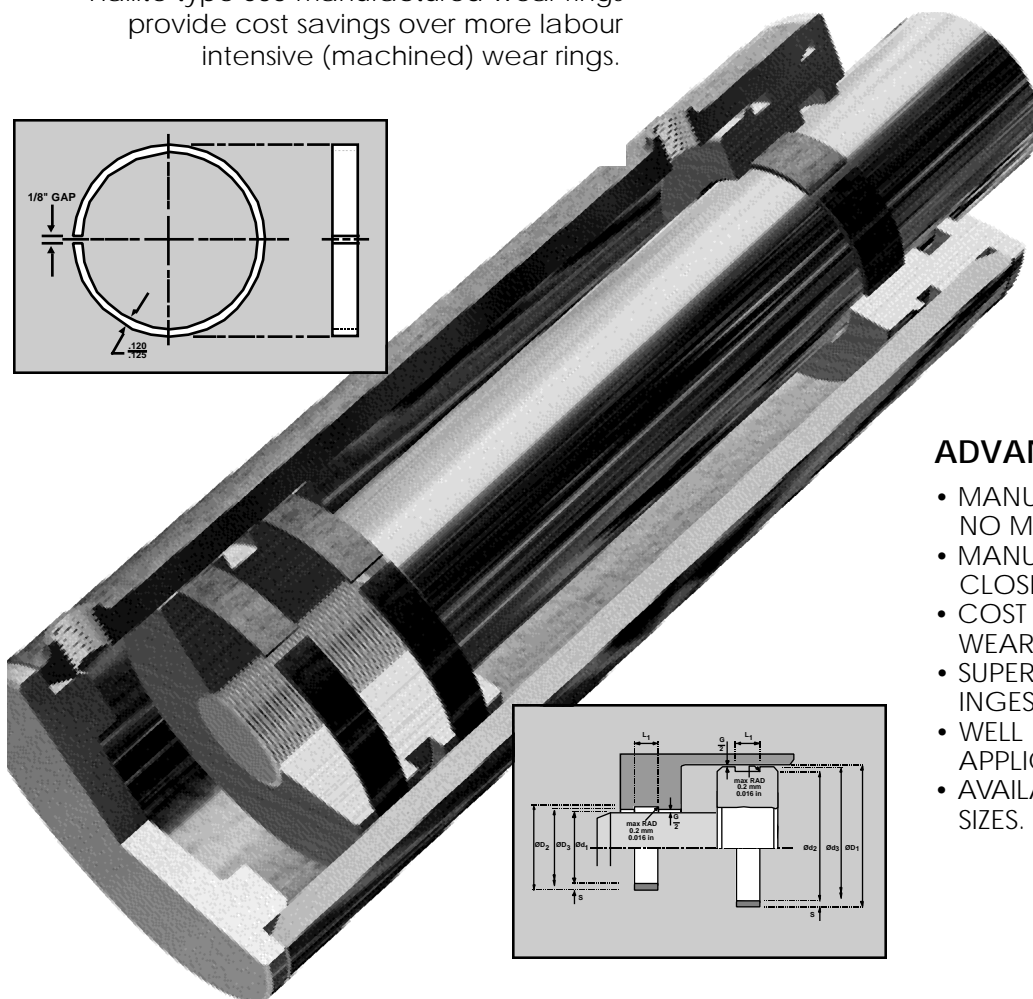
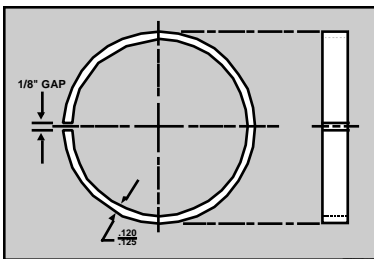
Hallite 533

THE RIGHT CHOICE

Hallite 533 wear rings are designed for use as piston and rod bearings in hydraulic cylinders. Type 533 wear rings are manufactured from heat stabilized 33% glass reinforced 6/6 nylon that provides high impact, flexural and compression strength.

IN STEP WITH VALUE

Hallite type 533 manufactured wear rings provide cost savings over more labour intensive (machined) wear rings.



ADVANTAGES OF HALLITE 533

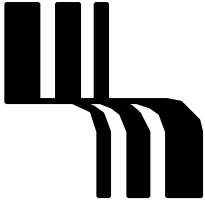
- MANUFACTURED TO SIZE. NO MACHINING-NO POLLUTION.
- MANUFACTURED TO EXTREMELY CLOSE THICKNESS TOLERANCE.
- COST SAVINGS OVER MACHINED WEAR RINGS.
- SUPERIOR CONTAMINATION INGESTION.
- WELL PROVEN IN EARTHMOVING APPLICATIONS.
- AVAILABLE IN INCH AND METRIC SIZES.

TYPICAL PROPERTIES

	PHENOLIC	BRONZE / PTFE	TYPE 533
FLEXURAL STRENGTH	18500 p.s.i.	N/A	38000 p.s.i.
TENSILE STRENGTH	8000 p.s.i.	2600 p.s.i.	27000 p.s.i.
COMPRESSIVE STRENGTH	24000 p.s.i.	3100 p.s.i.	35000 p.s.i.



All our activities conform to the highest quality assurance systems. Hallite Seals International quality management systems are accredited to ISO 9001 and are approved by many of the world's foremost OEM's.



Wear Rings

Hallite 533

metric

ØD ₁	Ød ₁	L ₁	PART NUMBER
45.00	39.00	5.00	F30189
50.00	43.60	19.00	F30242
56.00	50.00	5.00	F30206
60.00	53.60	19.00	F30233
63.00	55.40	7.50	F30214
63.00	57.00	10.00	F30195
70.00	62.40	7.50	F30213
70.00	64.00	10.00	F30190
70.00	64.00	10.38	F30182
70.00	65.00	20.00	F30308
80.00	70.40	7.50	F30215
80.00	74.00	10.00	F30170
80.00	74.00	10.38	F30183
90.00	80.40	7.50	F30216
90.00	82.40	7.50	F30225
90.00	84.00	15.00	F30171
90.00	84.00	15.38	F30184
90.00	84.00	24.50	F30293
90.00	84.00	25.00	F30294

ØD ₁	Ød ₁	L ₁	PART NUMBER
100.00	94.00	8.00	F30245
100.00	94.00	15.00	F30172
100.00	94.00	15.38	F30185
100.00	94.00	25.00	F30295
105.00	98.64	15.88	F30210
105.00	99.00	24.50	F30296
110.00	104.00	15.00	F30173
110.00	104.00	25.00	F30297
110.00	105.00	7.90	F30312
115.00	109.00	15.00	F30192
115.00	109.00	15.38	F30186
115.00	110.00	7.90	F30311
115.00	110.00	9.50	F30313
120.00	115.00	7.90	F30310
125.00	119.00	20.00	F30174
125.00	120.00	7.90	F30309
130.00	103.00	30.00	F30323
130.00	125.00	7.90	F30316

ØD ₁	Ød ₁	L ₁	PART NUMBER
135.00	128.00	14.80	F30319
135.00	130.00	7.90	F30315
140.00	133.00	35.00	F30298
140.00	134.00	15.00	F30175
140.00	134.00	20.00	F30202
140.00	135.00	7.90	F30314
145.00	138.00	14.80	F30318
150.00	143.00	14.80	F30317
150.00	143.00	35.00	F30299
160.00	153.00	40.00	F30300
160.00	154.00	15.00	F30176
160.00	154.00	20.00	F30203
180.00	172.00	45.00	F30320
180.00	174.00	20.00	F30204
190.00	182.00	45.00	F30301
200.00	192.00	22.00	F30321
200.00	192.00	45.00	F30322
200.00	194.00	20.00	F30324

inch

ØD ₁	Ød ₁	L ₁	PART NUMBER
1.250	1.062	0.187	F30001
1.250	1.100	0.250	F30009
1.375	1.250	0.500	F30303
1.500	1.250	0.250	F30005
1.500	1.250	0.375	F30006
1.500	1.250	0.500	F30305
1.500	1.313	0.187	F30004
1.750	1.500	0.190	F30234
1.750	1.500	0.375	F30201
1.750	1.500	0.500	F30013
1.875	1.625	0.190	F30179
1.875	1.625	0.375	F30235
1.875	1.625	0.500	F30306
2.000	1.750	0.187	F40001
2.000	1.750	0.250	F30018
2.000	1.750	0.312	F30020
2.000	1.750	0.375	F30022
2.000	1.750	0.500	F30024
2.000	1.750	0.750	F30025
2.000	1.812	0.375	F30325
2.125	1.875	0.375	F20026
2.250	2.000	0.187	F40029
2.250	2.000	0.250	F30196
2.250	2.000	0.312	F30032
2.250	2.000	0.375	F30033
2.250	2.000	0.500	F30035
2.250	2.000	0.625	F30036
2.250	2.000	0.750	F30037
2.375	2.125	0.500	F30038
2.500	2.250	0.187	F30040
2.500	2.250	0.250	F30041
2.500	2.250	0.312	F30043
2.500	2.250	0.375	F30044
2.500	2.250	0.500	F30045
2.500	2.250	0.625	F30047
2.500	2.250	0.750	F30048
2.500	2.250	1.000	F30286
2.500	2.312	0.375	F30326
2.625	2.375	0.375	F20179
2.625	2.375	0.625	F30285
2.750	2.500	0.250	F30209
2.750	2.500	0.375	F30051
2.750	2.500	0.500	F30052
2.750	2.500	0.625	F30054
2.750	2.500	0.750	F30055
2.750	2.500	1.000	F30056
3.000	2.750	0.250	F30061
3.000	2.750	0.312	F30062
3.000	2.750	0.375	F30063
3.000	2.750	0.500	F30064
3.000	2.750	0.625	F30191
3.000	2.750	0.750	F30066
3.000	2.750	1.000	F30067
3.000	2.812	0.375	F30327

ØD ₁	Ød ₁	L ₁	PART NUMBER
3.250	2.875	0.500	F30263
3.250	3.000	0.250	F30207
3.250	3.000	0.312	F30259
3.250	3.000	0.375	F30069
3.250	3.000	0.500	F30070
3.250	3.000	0.625	F30287
3.250	3.000	0.750	F30072
3.250	3.000	1.000	F30074
3.500	3.125	0.500	F20176
3.500	3.125	1.000	F20177
3.500	3.250	0.250	F30079
3.500	3.250	0.312	F30255
3.500	3.250	0.375	F30080
3.500	3.250	0.500	F30083
3.500	3.250	0.625	F30085
3.500	3.250	0.750	F30087
3.500	3.250	1.000	F30275
3.500	3.312	0.375	F30328
3.625	3.375	0.500	F30090
3.625	3.375	1.000	F30091
3.750	3.500	0.250	F40027
3.750	3.500	0.312	F30260
3.750	3.500	0.375	F30092
3.750	3.500	0.500	F30093
3.750	3.500	0.625	F30094
3.750	3.500	0.750	F30095
4.000	3.625	0.500	F30217
4.000	3.625	1.000	F30218
4.000	3.750	0.250	F30100
4.000	3.750	0.312	F30256
4.000	3.750	0.375	F30101
4.000	3.750	0.500	F30102
4.000	3.750	0.625	F30104
4.000	3.750	0.750	F30105
4.000	3.750	1.000	F30219
4.250	4.000	0.312	F30261
4.250	4.000	0.375	F30107
4.250	4.000	0.500	F30108
4.250	4.000	0.625	F30109
4.250	4.000	0.750	F30110
4.250	4.000	1.000	F30112
4.500	4.250	0.312	F30262
4.500	4.250	0.375	F30114
4.500	4.250	0.500	F30115
4.500	4.250	0.625	F30118
4.500	4.250	0.750	F30120
4.500	4.250	1.000	F30278
4.750	4.500	0.375	F30194
4.750	4.500	0.500	F30121
4.750	4.500	0.750	F30123
4.750	4.500	1.000	F30124
5.000	4.750	0.375	F30126
5.000	4.750	0.500	F30127
5.000	4.750	0.625	F30128

ØD ₁	Ød ₁	L ₁	PART NUMBER
5.000	4.750	0.750	F30129
5.000	4.750	1.000	F30169
5.250	5.000	0.500	F30131
5.250	5.000	0.625	F30132
5.250	5.000	0.750	F30133
5.250	5.000	1.000	F30269
5.500	5.250	0.375	F30135
5.500	5.250	0.500	F30136
5.500	5.250	0.625	F30138
5.500	5.250	0.750	F30140
5.500	5.250	1.000	F30141
5.750	5.500	0.750	F30143
5.750	5.500	1.000	F30144
6.000	5.750	0.500	F30145
6.000	5.750	0.625	F30147
6.000	5.750	0.750	F30208
6.000	5.750	1.000	F30149
6.250	6.000	0.500	F30279
6.250	6.000	0.625	F30151
6.250	6.000	0.750	F30152
6.250	6.000	1.000	F30153
6.500	6.250	0.500	F30154
6.500	6.250	0.750	F30199
6.500	6.250	1.000	F30157
6.750	6.500	1.000	F30276
7.000	6.750	0.500	F30158
7.000	6.750	0.625	F30159
7.000	6.750	0.750	F30277
7.000	6.750	1.000	F30160
7.250	7.000	0.500	F30281
7.250	7.000	0.750	F30284
7.250	7.000	1.000	F30289
7.500	7.250	0.500	F30162
7.500	7.250	0.750	F30165
7.500	7.250	1.000	F30166
7.750	7.500	0.500	F20160
7.750	7.500	1.000	F30247
8.000	7.750	1.000	F30231
8.250	8.000	1.000	F30248
8.500	8.250	0.500	F30168
8.500	8.250	1.000	F30246
8.750	8.500	1.000	F30249
9.000	8.750	1.000	F30230
9.250	9.000	1.000	F30253
9.500	9.250	1.000	F30254
9.750	9.500	1.000	F30250
10.000	9.750	1.000	F30221
10.250	10.000	1.000	F30258
10.500	10.250	1.000	F30257
11.000	10.750	1.000	F30222
11.500	11.250	1.000	F30252
12.000	11.750	1.000	F30223
13.000	12.750	1.000	F30224