

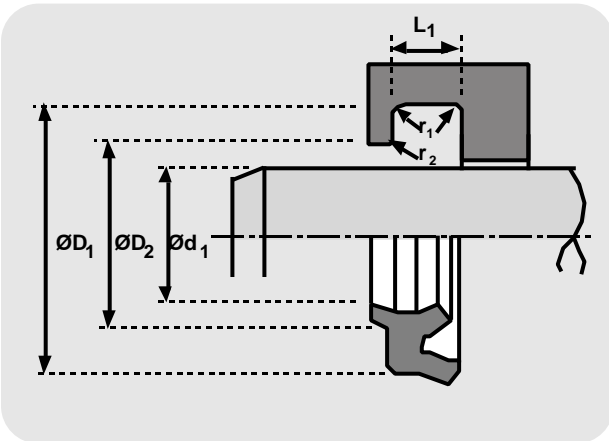
Wipers

Hallite



839

| TECHNICAL DETAILS | | METRIC | INCH |
|---|----------------|-------------------|---|
| OPERATING CONDITIONS | | | |
| MAXIMUM SPEED | 4.0 m/sec | 12.0 ft/sec | |
| MAXIMUM TEMPERATURE | -45°C + 110°C | -50°F + 230°F | |
| SURFACE ROUGHNESS | | | |
| DYNAMIC SEALING FACE $\varnothing d_1$ | $0.1 \div 0.4$ | 4 max | $4 \div 16$ $5 \div 18$ |
| STATIC SEALING FACE $\varnothing D_1$ $\varnothing D_2$ | 1.6 max | 10 max | 63 max 70 max |
| STATIC HOUSING FACES L_1 | 3.2 max | 16 max | 125 max 140 max |
| RADII | | | |
| ROD DIAMETER $\varnothing d_1$ mm | 90 | > 90 | |
| MAX FILLET RAD r_1 mm | 0.2 | 0.4 | |
| MAX FILLET RAD r_2 mm | 0.4 | 0.4 | |
| TOLERANCES | | | |
| | 839 mm | $\varnothing d_1$ | $\varnothing D_1$ $\varnothing D_2$ L_1 |
| | 839n mm | f9 | H11 H11 +0.2 -0 |
| | | f9 | +0.0.2 ± 0.1 +0.4 -0 |

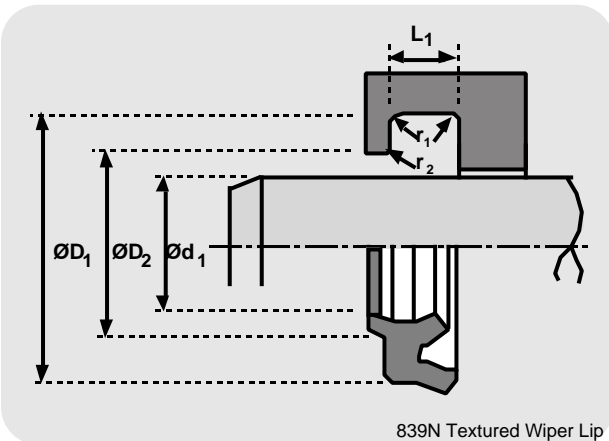


DESIGN

The Hallite 839 wiper is precision moulded in Hallite's high performance polyurethane - Hythane 181 for maximum wear resistance, and is designed to exclude dirt and moisture from entering the cylinder and to collect traces of fluid passing the rod seal.

Opposite the wiper lip are two sealing lips accurately produced and proportioned to provide the secondary sealing function. To obtain stability and improve the seal the outside diameter is in interference with the housing.

The Hallite 839N wiper is designed to suit popular Asian housings and has a textured wiping lip for improved performance.



839N Textured Wiper Lip

FEATURES

- TWIN LIP ENSURES DRIER SEALING SYSTEM.
- HARD WEARING MATERIAL FOR LONG LIFE

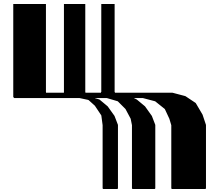
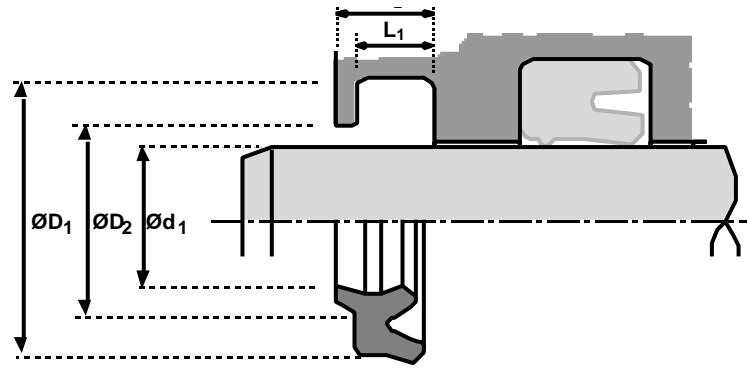
NB:

Part numbers suffixed by "‡" indicate housing sizes to meet ISO 6195C.

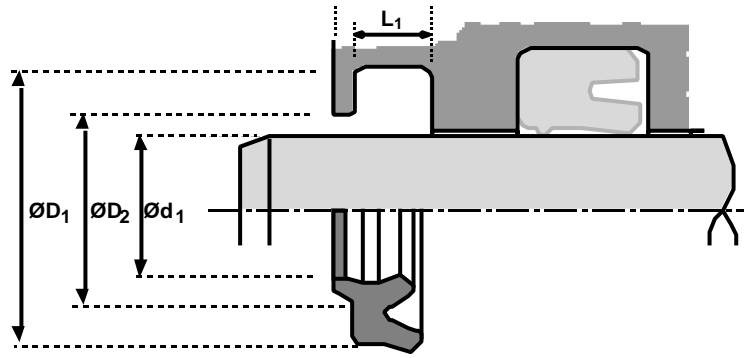
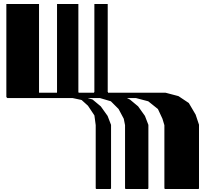
Wipers

Hallite 839

metric



| $\varnothing d_1$ | TOL f9 | $\varnothing D_1$ | TOL H11 | $\varnothing D_2$ | TOL H11 | L_1 +0.2 - 0 | L_2 | PART No. |
|-------------------|------------------|-------------------|----------------|-------------------|----------------|-------------------|-------|-------------|
| 12 | -0.016 -0.059 | 18.0 | +0.11 +0.00 | 14.5 | +0.11 +0.00 | 4.0 | 7.0 | 4436800‡ |
| 14 | -0.016 -0.059 | 20.0 | +0.13 +0.00 | 16.5 | +0.11 +0.00 | 4.0 | 7.0 | 4436900‡ |
| 18 | -0.016 -0.059 | 24.0 | +0.13 +0.00 | 20.5 | +0.13 +0.00 | 4.0 | 7.0 | 4437000‡ |
| 20 | -0.020 -0.072 | 26.0 | +0.13 +0.00 | 22.5 | +0.13 +0.00 | 4.0 | 6.0 | 4415000‡ |
| 22 | -0.020 -0.072 | 28.0 | +0.13 +0.00 | 24.5 | +0.13 +0.00 | 4.0 | 7.0 | 4437100‡ |
| 28 | -0.020 -0.072 | 36.0 | +0.16 +0.00 | 31.0 | +0.16 +0.00 | 5.0 | 8.0 | 4437200‡ |
| 30 | -0.020 -0.072 | 38.0 | +0.16 +0.00 | 33.0 | +0.16 +0.00 | 5.0 | 8.0 | 4519200 |
| 32 | -0.025 -0.087 | 40.0 | +0.16 +0.00 | 35.0 | +0.16 +0.00 | 5.0 | 8.0 | 4594000‡ |
| 36 | -0.025 -0.087 | 44.0 | +0.16 +0.00 | 39.0 | +0.16 +0.00 | 5.0 | 8.0 | 4437300‡ |
| 40 | -0.025 -0.087 | 48.0 | +0.16 +0.00 | 43.0 | +0.16 +0.00 | 5.0 | 8.0 | 4591600‡ |
| 45 | -0.025 -0.087 | 53.0 | +0.19 +0.00 | 48.0 | +0.16 +0.00 | 5.0 | 8.0 | 4437400‡ |
| 50 | -0.025 -0.087 | 58.0 | +0.19 +0.00 | 53.0 | +0.19 +0.00 | 5.0 | 8.0 | 4584400‡ |
| 55 | -0.030 -0.104 | 65.0 | +0.19 +0.00 | 58.0 | +0.19 +0.00 | 6.0 | 9.7 | 4575200 |
| 56 | -0.030 -0.104 | 66.0 | +0.19 +0.00 | 59.0 | +0.19 +0.00 | 6.0 | 9.7 | 4437500‡ |
| 65 | -0.030 -0.104 | 75.0 | +0.19 +0.00 | 68.0 | +0.19 +0.00 | 6.0 | 9.7 | 4575300 |
| 70 | -0.030 -0.104 | 80.0 | +0.19 +0.00 | 73.0 | +0.19 +0.00 | 6.0 | 9.7 | 4437600‡ |
| 90 | -0.036 -0.123 | 100.0 | +0.22 +0.00 | 93.0 | +0.22 +0.00 | 6.0 | 9.7 | 4437700‡ |
| 110 | -0.036 -0.123 | 125.0 | +0.25 +0.00 | 114.0 | +0.22 +0.00 | 8.5 | 13.0 | 4437800‡ |
| 140 | -0.043 -0.143 | 155.0 | +0.25 +0.00 | 144.0 | +0.25 +0.00 | 8.5 | 13.0 | 4437900‡ |
| 180 | -0.043 -0.143 | 196.0 | +0.29 +0.00 | 184.0 | +0.29 +0.00 | 9.5 | 14.0 | 4595600 |

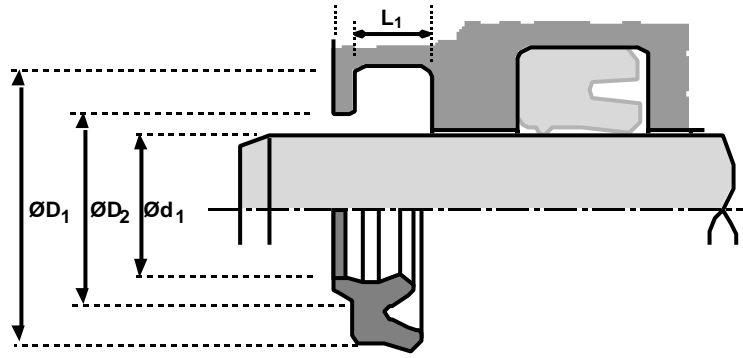
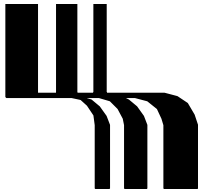


Wipers

Hallite 839N

metric

| Ød ₁ | TOL f ₉ | ØD ₁ +0 - 0.2 | ØD ₂ ±0.1 | L ₁ +0.4 - 0 | L ₂ | PART No. |
|-----------------|-----------------------|-----------------------------|-------------------------|----------------------------|----------------|-------------|
| 14 | -0.016 -0.059 | 22.0 | 18.3 | 4.8 | 7.0 | 4632000 |
| 16 | -0.016 -0.059 | 24.0 | 20.3 | 4.8 | 7.0 | 4632100 |
| 18 | -0.016 -0.059 | 26.0 | 22.3 | 4.8 | 7.0 | 4630800 |
| 20 | -0.020 -0.072 | 28.0 | 24.3 | 4.8 | 7.0 | 4630900 |
| 22.4 | -0.020 -0.072 | 30.4 | 26.7 | 4.8 | 7.0 | 4630100 |
| 25 | -0.020 -0.072 | 33.0 | 29.3 | 4.8 | 7.0 | 4631000 |
| 28 | -0.020 -0.072 | 36.0 | 32.3 | 4.8 | 7.0 | 4631100 |
| 30 | -0.020 -0.072 | 38.0 | 34.0 | 5.8 | 8.0 | 4630200 |
| 31.5 | -0.025 -0.087 | 39.5 | 35.5 | 5.8 | 8.0 | 4632200 |
| 32 | -0.025 -0.087 | 40.0 | 36.0 | 5.8 | 8.0 | 4632300 |
| 35 | -0.025 -0.087 | 43.0 | 39.0 | 5.8 | 8.0 | 4630300 |
| 35.5 | -0.025 -0.087 | 43.5 | 39.5 | 5.8 | 8.0 | 4630400 |
| 38 | -0.025 -0.087 | 46.0 | 42.0 | 5.8 | 8.0 | 4632400 |
| 40 | -0.025 -0.087 | 48.0 | 44.0 | 5.8 | 8.0 | 4630500 |
| 45 | -0.025 -0.087 | 53.0 | 49.0 | 5.8 | 8.0 | 4630600 |
| 50 | -0.025 -0.087 | 58.0 | 54.0 | 5.8 | 8.0 | 4630000 |
| 53 | -0.030 -0.104 | 61.0 | 57.0 | 5.8 | 8.0 | 4632500 |
| 55 | -0.030 -0.104 | 63.0 | 58.0 | 5.8 | 8.0 | 4630700 |
| 56 | -0.030 -0.104 | 64.0 | 60.0 | 5.8 | 8.0 | 4632600 |
| 60 | -0.030 -0.104 | 68.0 | 64.0 | 5.8 | 8.0 | 4631200 |
| 63 | -0.030 -0.104 | 71.0 | 67.0 | 5.8 | 8.0 | 463700 |
| 65 | -0.030 -0.104 | 73.0 | 69.0 | 5.8 | 8.0 | 4631300 |



Wipers

Hallite 839N

metric

| Ød ₁ | TOL f9 | ØD ₁ +0 - 0.2 | ØD ₂ ±0.1 | L ₁ +0.4 - 0 | L ₂ | PART No. |
|-----------------|------------------|-----------------------------|-------------------------|----------------------------|----------------|-------------|
| 70 | -0.030 -0.104 | 80.0 | 75.0 | 6.8 | 10.0 | 4631400 |
| 75 | -0.030 -0.076 | 85.0 | 80.0 | 6.8 | 10.0 | 4631500 |
| 80 | -0.030 -0.076 | 90.0 | 85.0 | 6.8 | 10.0 | 4631600 |
| 90 | -0.036 -0.123 | 100.0 | 95.0 | 6.8 | 10.0 | 4631700 |
| 95 | -0.036 -0.123 | 105.0 | 100.0 | 6.8 | 10.0 | 4631900 |
| 100 | -0.036 -0.123 | 110.0 | 105.0 | 6.8 | 10.0 | 4631800 |
| 110 | -0.036 -0.123 | 120.0 | 115.0 | 6.8 | 10.0 | 4633000 |
| 112 | -0.036 -0.123 | 122.0 | 117.0 | 6.8 | 10.0 | 4633100 |
| 125 | -0.043 -0.123 | 138.0 | 132.0 | 7.8 | 11.0 | 4633200 |
| 136 | -0.043 -0.123 | 149.0 | 143.0 | 7.8 | 11.0 | 4633300 |
| 140 | -0.043 -0.123 | 153.0 | 147.0 | 7.8 | 11.0 | 4633400 |
| 145 | -0.043 -0.123 | 158.0 | 152.0 | 7.8 | 11.0 | 4633500 |
| 160 | -0.043 -0.123 | 174.0 | 167.0 | 7.8 | 11.0 | 4633600 |