

Piston seals

Hallite



753

TECHNICAL DETAILS

METRIC

INCH

OPERATING CONDITIONS

MAXIMUM SPEED 0.5 m/sec
 TEMPERATURE RANGE -30°C + 100°C
 MAXIMUM PRESSURE 400 bar

1.5 ft/sec
 -22°F + 212°F
 5000 p.s.i.

SURFACE ROUGHNESS

DYNAMIC SEALING FACE $\text{Ø}d_1$ 0.1 ↔ 0.4 μmRa 4 max μmRt
 STATIC SEALING FACE $\text{Ø}d_1$ $\text{Ø}d_2$ 1.6 max 10 max
 STATIC HOUSING FACES $\text{Ø}d_3$ L_1 L_2 3.2 max 16 max

μinCLA μinRMS
 4 ↔ 16 5 ↔ 18
 63 max 70 max
 125 max 140 max

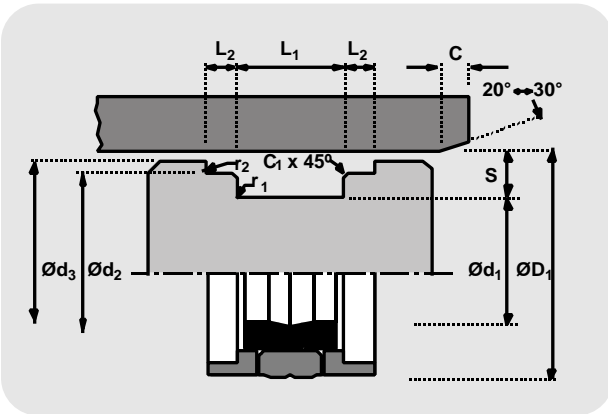
CHAMFERS & RADII

GROOVE SECTION	S	5.0	7.5	8.0	10.0	12.5	15.0
MIN CHAMFER	C_1	4.0	4.0	5.0	5.0	6.5	7.5
MAX FILLET RAD	r_1	0.2	0.2	0.4	0.4	0.4	0.8
MAX FILLET RAD	r_2	0.2	0.2	0.2	0.2	0.2	0.4

TOLERANCES

mm

$\text{Ø}d_1$	$\text{Ø}d_1$	$\text{Ø}d_2$	$\text{Ø}d_3$	L_1	L_2
H11	h10	f9	h11	+0.4	+0.1 -0



DESIGN

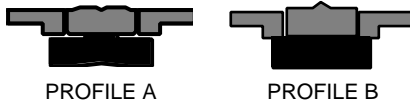
The Hallite 753 is a compact assembly designed and developed specifically for one piece pistons.

The assembly comprises a wear-resistant polyurethane slip ring which is loaded by an NBR ring. There are split 'L' shaped anti-extrusion bearings made from polyacetal resin on both sides of the seal.

The proportions of the range have been determined to give a satisfactory performance when used with the recommended operating conditions.

FEATURES

- LONG LIFE - DUE TO THE WEAR-RESISTANT POLYURETHANE SLIP RINGS
- EASY INSTALLATION

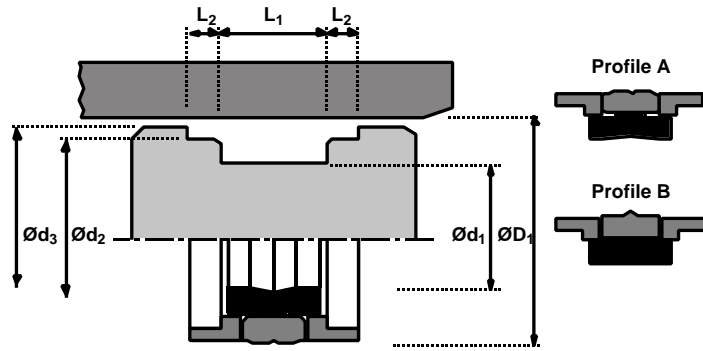


Hallite 753 is manufactured using two different profiles as illustrated above. The parts list clearly indicates which profile is used for each size.

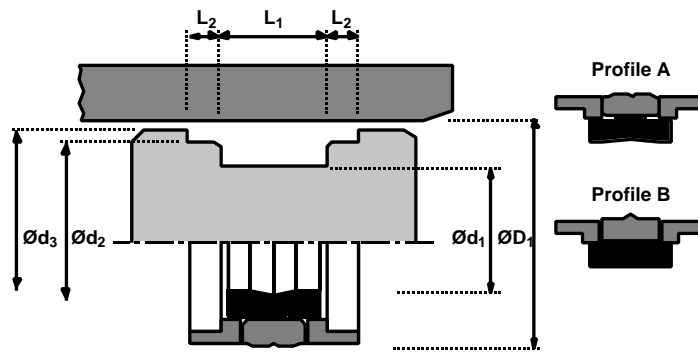
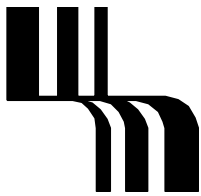
Piston seals

Hallite 753

metric



ØD ₁	TOL H11	Ød ₁	TOL h10	Ød ₂	TOL f9	Ød ₃	TOL h11	L ₁ + 0.4	L ₂ + 0.1 - 0	PROFILE	PART No.
40	+0.16 +0.00	26	+0.00 -0.08	39.00	-0.025 -0.087	36.00	+0.00 -0.16	15.5	2.60	B	6916500
40	+0.16 +0.00	30	+0.00 -0.08	36.50	-0.025 -0.087	39.00	+0.00 -0.16	10.0	5.00	A	6915100*
50	+0.16 +0.00	34	+0.00 -0.10	46.00	-0.025 -0.087	49.00	+0.00 -0.16	20.5	3.10	B	6916600
50	+0.16 +0.00	34	+0.00 -0.10	45.40	-0.025 -0.087	48.50	+0.00 -0.16	18.4	6.35	A	6915200
60	+0.19 +0.00	44	+0.00 -0.10	56.00	-0.030 -0.104	58.50	+0.00 -0.19	20.5	3.10	A	6916300
60	+0.19 +0.00	44	+0.00 -0.10	55.40	-0.030 -0.104	58.50	+0.00 -0.19	18.4	6.35	A	8672110
63	+0.19 +0.00	47	+0.00 -0.10	58.40	-0.030 -0.104	61.50	+0.00 -0.19	18.4	6.35	A	6915300
63	+0.19 +0.00	47	+0.00 -0.06	59.00	-0.030 -0.104	62.00	+0.00 -0.19	20.5	3.10	A	6916100
65	+0.19 +0.00	49	+0.00 -0.10	61.00	-0.030 -0.104	64.00	+0.00 -0.19	20.5	3.10	B	6916700
70	+0.19 +0.00	50	+0.00 -0.10	64.20	-0.030 -0.104	68.30	+0.00 -0.19	22.4	6.35	A	6915400
70	+0.19 +0.00	54	+0.00 -0.12	66.00	-0.030 -0.104	69.00	+0.00 -0.19	20.5	3.10	B	6916800
80	+0.19 +0.00	60	+0.00 -0.12	74.15	-0.030 -0.104	78.30	+0.00 -0.19	22.4	6.35	A	6915500
80	+0.19 +0.00	62	+0.00 -0.12	76.00	-0.030 -0.104	79.00	+0.00 -0.19	22.4	3.60	B	6916400
80	+0.19 +0.00	62	+0.00 -0.12	76.00	-0.030 -0.104	79.00	+0.00 -0.19	22.5	3.60	A	6916000
90	+0.22 +0.00	70	+0.00 -0.12	84.15	-0.036 -0.123	88.30	+0.00 -0.22	22.4	6.35	A	6915600
90	+0.22 +0.00	72	+0.00 -0.12	86.00	-0.036 -0.123	89.00	+0.00 -0.22	22.5	3.60	B	6916900
100	+0.22 +0.00	75	+0.00 -0.12	93.15	-0.036 -0.123	98.00	+0.00 -0.22	22.4	6.35	A	6915700
110	+0.22 +0.00	85	+0.00 -0.14	103.10	-0.036 -0.123	108.00	+0.00 -0.22	22.4	6.35	A	6915800
125	+0.25 +0.00	100	+0.00 -0.14	118.10	-0.036 -0.123	123.00	+0.00 -0.25	25.4	6.35	A	6915900
125	+0.25 +0.00	103	+0.00 -0.14	121.00	-0.042 -0.143	124.00	+0.00 -0.25	26.5	5.10	B	6917000
125	+0.25 +0.00	103	+0.00 -0.14	121.00	-0.042 -0.143	124.00	+0.00 -0.25	26.5	5.10	A	6919800
140	+0.25 +0.00	118	+0.00 -0.14	136.00	-0.042 -0.143	139.00	+0.00 -0.25	26.5	5.10	A	2356010
150	+0.25 +0.00	128	+0.00 -0.14	146.00	-0.042 -0.143	149.00	+0.00 -0.25	26.5	5.10	A	2349910



Piston seals
Hallite
753
 metric

ØD ₁	TOL H11	Ød ₁	TOL h10	Ød ₂	TOL f9	Ød ₃	TOL h11	L ₁ + 0.4	L ₂ + 0.1 - 0	PROFILE	PART No.
160	+0.25 +0.00	138	+0.00 -0.14	156.00	-0.042 -0.143	159.00	+0.00 -0.25	26.5	5.10	A	2349810
165	+0.25 +0.00	143	+0.00 -0.14	161.00	-0.042 -0.143	164.00	+0.00 -0.25	26.5	5.10	A	2362310
180	+0.25 +0.00	158	+0.00 -0.16	176.00	-0.042 -0.143	179.00	+0.00 -0.25	26.5	5.10	A	2349510
200	+0.29 +0.00	175	+0.00 -0.16	196.00	-0.050 -0.165	199.00	+0.00 -0.29	31.5	6.60	A	2347010
250	+0.29 +0.00	220	+0.00 -0.18	242.90	-0.050 -0.165	247.85	+0.00 -0.29	35.4	6.35	A	2340710

* OWING TO THE SEAL SECTION, DIAMETER 40 IS MANUFACTURED USING ONLY 3 PARTS

Notes

