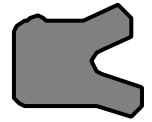


Piston seals

Hallite



659

TECHNICAL DETAILS

METRIC

INCH

OPERATING CONDITIONS

MAXIMUM SPEED 1.0 m/sec
 TEMPERATURE RANGE -45°C + 110°C
 MAXIMUM PRESSURE 400 bar

3.0 ft/sec
 -50°F + 230°F
 6000 p.s.i.

MAXIMUM EXTRUSION GAP

PRESSURE bar	160	250	400
MAXIMUM GAP mm	0.6	0.5	0.4
PRESSURE p.s.i.	2400	3750	6000
MAXIMUM GAP in	0.024	0.020	0.016

Figures show the maximum permissible gap all on one side using the minimum clearance \emptyset and maximum bore \emptyset

SURFACE ROUGHNESS

DYNAMIC SEALING FACE $\emptyset D_1$	$0.1 \leftrightarrow 0.4$	4 max	$4 \leftrightarrow 16$	$5 \leftrightarrow 18$
STATIC SEALING FACE $\emptyset d_1$	1.6 max	10 max	63 max	70 max
STATIC HOUSING FACES L_1	3.2 max	16 max	125 max	140 max

μmRa	μmRt	μinCLA	μinRMS
$0.1 \leftrightarrow 0.4$	4 max	$4 \leftrightarrow 16$	$5 \leftrightarrow 18$
1.6 max	10 max	63 max	70 max
3.2 max	16 max	125 max	140 max

CHAMFERS & RADII

GROOVE SECTION S mm	4.0	5.0	7.5
MIN CHAMFER C mm	3.0	3.5	5.0
MAX FILLET RAD r_1 mm	0.2	0.4	0.8

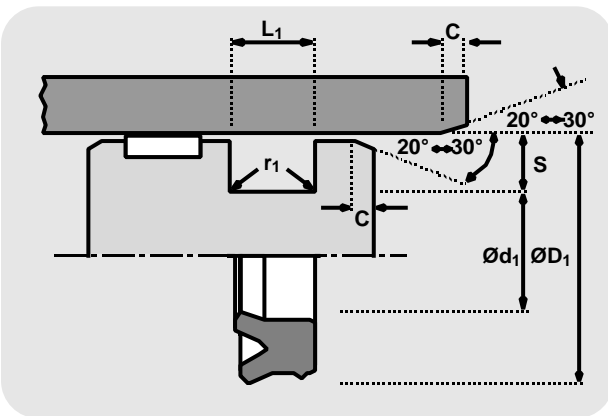
GROOVE SECTION S in	0.125	0.187	0.250
MIN CHAMFER C in	0.093	0.093	0.125
MAX FILLET RAD r_1 in	0.008	0.008	0.016

TOLERANCES

mm

in

$\emptyset D_1$	$\emptyset d_1$	L_1
H9	js11	+0.25 -0
+0.004 -0	0 -0.002	+0.010 -0



FEATURES

- FLEXIBLE FOR EASY INSTALLATION
- EXCELLENT WEAR RESISTANCE
- HIGH RESISTANCE TO EXTRUSION
- WIDE TEMPERATURE RANGE
- TWIN LIP DESIGN FOR:
 - IMPROVED SEALING
 - LOWER FRICTION
 - INCREASED SEAL STABILITY
 - PRIMARY LIP PROTECTION

DESIGN

The Hallite 659 is an asymmetric piston seal designed to offer effective bore sealing in a wide variety of applications.

The outer *dynamic* lip is shorter and more robust to provide improved sealing and compression set characteristics over conventional U rings. The seal also features a secondary lip that provides a pocket for lubrication as well as the benefits listed below.

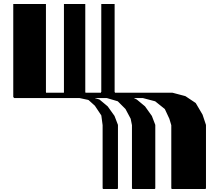
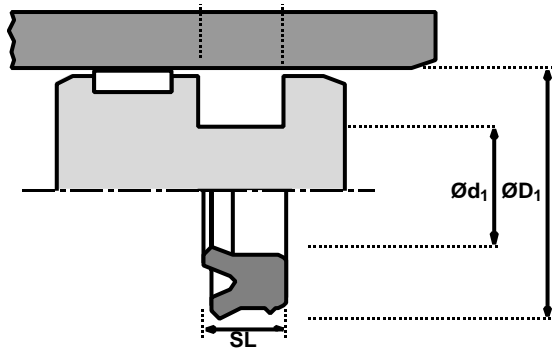
For use in single acting applications only, the seal is manufactured in Hallite's high performance polyurethane Hythane 181. The Hallite 659 provides the following benefits:

Note: Variations of this seal are available in other sizes, please contact your local Hallite sales office for additional information and technical details.

Piston seals

Hallite 659

metric



ØD ₁	TOL H9	Ød ₁	TOL js11	SL	L ₁ + 0.25 -0	PART No.
100.00	+0.09 +0.00	80.00	+0.11 -0.11	14.50	16.00	4580300

ØD ₁	TOL H9	Ød ₁	TOL js11	SL	L ₁ + 0.25 -0	PART No.
110.00	+0.09 +0.00	90.00	+0.11 -0.11	14.50	16.00	4580400

inch

ØD ₁	TOL	Ød ₁	TOL	SL	L ₁ + 0.010 -0	PART No.
1.250	+0.004 -0.000	1.000	+0.000 -0.002	0.171	0.187	4416600
1.500	+0.004 -0.000	1.250	+0.000 -0.002	0.187	0.205	4372400
1.750	+0.004 -0.000	1.250	+0.000 -0.002	0.375	0.413	4528600
2.000	+0.004 -0.000	1.630	+0.000 -0.002	0.250	0.281	4563300
2.375	+0.004 -0.000	1.750	+0.000 -0.002	0.437	0.481	4528500
2.500	+0.004 -0.000	2.130	+0.000 -0.002	0.250	0.281	4563400
3.000	+0.004 -0.000	2.250	+0.000 -0.002	0.500	0.550	4528400
3.000	+0.004 -0.000	2.630	+0.000 -0.002	0.250	0.281	4563500

ØD ₁	TOL	Ød ₁	TOL	SL	L ₁ + 0.010 -0	PART No.
3.500	+0.004 -0.000	3.130	+0.000 -0.002	0.250	0.281	4563600
3.625	+0.004 -0.000	2.875	+0.000 -0.002	0.562	0.618	4528300
4.000	+0.004 -0.000	3.630	+0.000 -0.002	0.250	0.281	4563700
4.250	+0.004 -0.000	3.500	+0.000 -0.002	0.562	0.618	4528200
5.000	+0.004 -0.000	4.000	+0.000 -0.002	0.731	0.804	4528100
6.000	+0.004 -0.000	5.000	+0.000 -0.002	0.731	0.804	4530200
7.000	+0.004 -0.000	6.000	+0.000 -0.002	0.731	0.804	4529700

Denotes parts designed to fit inch standard O ring grooves.