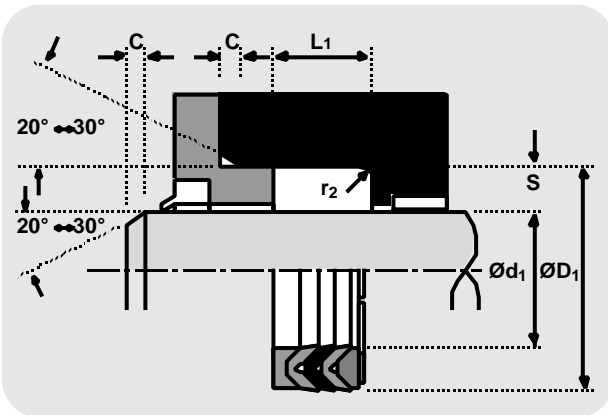
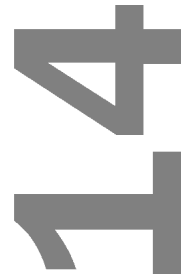


Vee pack sets

# Hallite



TECHNICAL DETAILS		METRIC	INCH			
<b>OPERATING CONDITIONS</b>						
MAXIMUM SPEED	0.5 m/sec	1.5 ft/sec				
TEMPERATURE RANGE	-30°C + 100°C	-22°F + 212°F				
MAXIMUM PRESSURE	700 bar	10,000 p.s.i.				
<b>MAXIMUM EXTRUSION GAP</b>						
PRESSURE bar	160	250	400	700		
MAXIMUM GAP mm	0.4	0.3	0.2	0.1		
PRESSURE p.s.i.	2400	3750	6000	10,000		
<b>SURFACE ROUGHNESS</b>						
DYNAMIC SEALING FACE $\varnothing d_1$	$\mu\text{mRa}$	$\mu\text{mRt}$	$\mu\text{inCLA}$	$\mu\text{inRMS}$		
STATIC SEALING FACE $\varnothing D_1$	0.1 ↔ 0.4	4 max	4 ↔ 16	5 ↔ 18		
STATIC HOUSING FACES $L_1$	1.6 max	10 max	63 max	70 max		
	3.2 max	16 max	125 max	140 max		
<b>CHAMFERS &amp; RADII</b>						
GROOVE SECTION S mm	6.0	7.5	10	12.5	15.0	20.0
MIN CHAMFER C mm	3.0	4.0	5.0	6.5	7.5	10.0
MAX FILLET RAD $r_2$ mm	0.4	0.4	1.2	1.6	1.6	1.6
<b>TOLERANCES</b>						
$\varnothing d_1$	$\varnothing D_1$	$L_1$ mm				
f9	H11	+0.2 -0				



## FEATURES

- PRECISION MOULDED VEE RINGS
- PRESSURE DISTRIBUTION ADAPTORS
- RELIABLE SEALING

## DESIGN

The Hallite 14 is a vee pack rod seal for heavy duty applications offering excellent performance and long life even under difficult operating conditions such as pressure surges, vibration and some misalignment. The seal consists of a male and female adaptor and three vee rings.

The male adaptor is usually manufactured from polyacetal but some of the larger sizes use rubberised fabric. It has grooves across one face to ensure equal pressure to the sealing edges of the vee ring.

All sizes have vee rings manufactured from rubberised fabric because this has strength and durability and permits an oil film to lubricate the other parts of the seal. The smaller sizes are supplied with a rubber vee ring between the rubberised fabric vee rings. The number and type of vee rings used are :

	Up to 139mm $\varnothing$	Above 140mm $\varnothing$
Rubberised fabric vee ring	2	3
Rubber vee ring		1

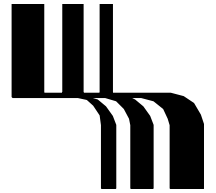
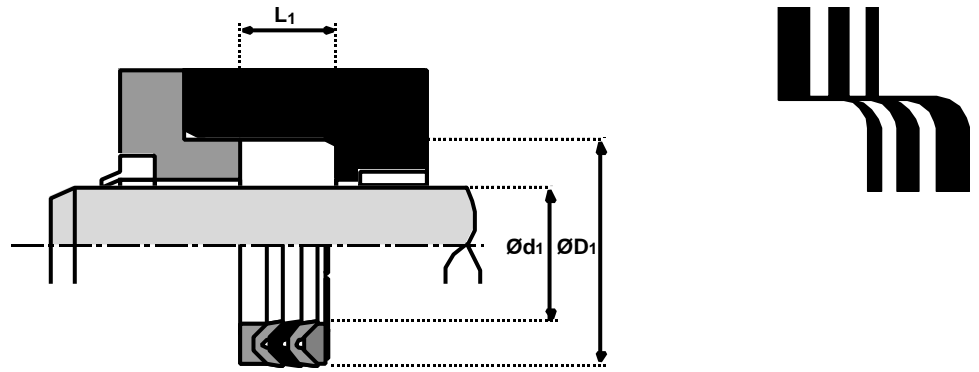
The female adaptor uses a hard rubberised fabric to support the vee rings and protect them from extrusion damage. At high pressures the lips of the adaptor act as a secondary seal.

Vee pack sets

# Hallite

# 14

metric



$\varnothing d_1$	TOL f9	$\varnothing D_1$	TOL H11	$L_1$ +0.2-0	PART No.	$\varnothing d_1$	TOL f9	$\varnothing D_1$	TOL H11	$L_1$ +0.2-0	PART No.
20	-0.020 -0.072	32	+0.16 +0.00	16.50	4204930	110	-0.036 -0.123	130	+0.25 +0.00	30.00	4206330
25	-0.020 -0.072	40	+0.16 +0.00	16.50	4205030	115	-0.036 -0.123	140	+0.25 +0.00	34.00	4206430
30	-0.020 -0.072	45	+0.16 +0.00	16.50	4205130	125	-0.043 -0.143	150	+0.25 +0.00	34.00	4206530
35	-0.025 -0.087	50	+0.16 +0.00	16.50	4205230	140	-0.043 -0.143	165	+0.25 +0.00	34.00	4206630
40	-0.025 -0.087	55	+0.19 +0.00	16.50	4205330	150	-0.043 -0.143	180	+0.25 +0.00	45.00	4206730
45	-0.025 -0.087	65	+0.19 +0.00	20.50	4205430	160	-0.043 -0.143	190	+0.29 +0.00	45.00	4206830
50	-0.025 -0.087	70	+0.19 +0.00	22.00	4205530	180	-0.043 -0.143	210	+0.29 +0.00	45.00	4206930
55	-0.030 -0.104	75	+0.19 +0.00	22.00	4205630	195	-0.050 -0.165	225	+0.29 +0.00	47.50	6582130
60	-0.030 -0.104	80	+0.19 +0.00	27.00	4205730	200	-0.050 -0.165	230	+0.29 +0.00	45.00	4207030
65	-0.030 -0.104	85	+0.22 +0.00	30.00	4205830	220	-0.050 -0.165	250	+0.29 +0.00	47.50	6582330
70	-0.030 -0.104	90	+0.22 +0.00	30.00	4205930	245	-0.050 -0.165	275	+0.32 +0.00	47.50	6582430
75	-0.030 -0.104	95	+0.22 +0.00	30.00	4206030	270	-0.056 -0.186	300	+0.32 +0.00	47.50	6582530
80	-0.030 -0.104	100	+0.22 +0.00	30.00	4206130	290	-0.056 -0.186	320	+0.36 +0.00	49.00	6582630
90	-0.036 -0.123	110	+0.22 +0.00	30.00	4206230	320	-0.062 -0.212	360	+0.36 +0.00	58.00	6582730
100	-0.036 -0.123	120	+0.22 +0.00	30.00	4199130	380	-0.062 -0.212	420	+0.40 +0.00	60.00	6584030